

Atiléa

Urban promenades



Mise à jour / Update 07/06/19





Atiléa

Atinia 6480 + lyre

Highlights

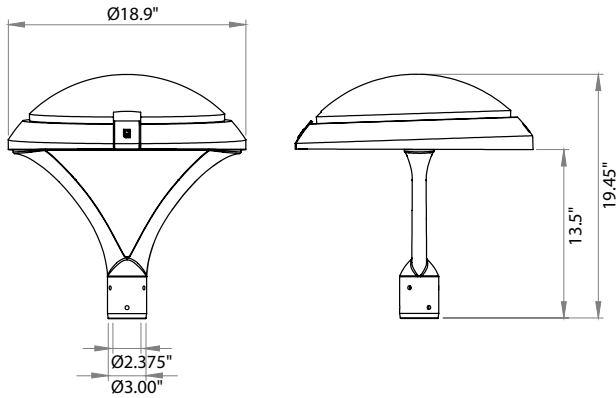
- Interchangeable with existing product to eliminate globes and provide a dark sky alternative
- Pre-wired luminaire (cable added to luminaire to reduce installation costs)
- Tool-free opening and maintenance
- Simple, harmonious installation on top of a pole
- Available with up to 48 LEDs (11,000 Lumens)
- Airy design
- Possibility of mixing yoke/fixture colors
- Very low light pollution
- IP 68 VENT. Waterproof vent system, allowing air flow

Technical Characteristics

- Materials
- Fixture:
- Injected cast aluminum
- Yoke: Injected cast aluminum
- Reflector: Pressed bright dipped aluminum
 - Tempered glass
 - Glass Shape Standard: Flat
 - Glass Finish Standard: Transparent
- Optical
 - EVO2
 - Maximum Power
 - 48 LED @ 700 mA
- Mounting
- Top-mounted Ø2-3/8" (other diameters on request) Depth of insertion: 3.0"
- RAL or Standard Color

Electrical Class

I or II



Atiléa

Weight..... 16.5

EPA..... 0.65

Protection index

Optical Unit EVO2..... IP 66

Electrical Housing IP 66

Shock resistance..... IK 08

POWER AND LUMINOUS INTENSITY - DELIVERED LUMENS DATA

3000K	350mA			500mA			700mA		
Number of LEDs	P _t (W)	(lm)	(lm/W)	P _t (W)	(lm)	(lm/W)	P _t (W)	(lm)	(lm/W)
16	21.4	1988	93	28.2	2867	102	36	3636	101
32	34.4	3976	116	48.8	5734	118	68.9	7271	106
48	51	5964	117	72.6	8601	118	102.3	10907	107

4000K	350mA			500mA			700mA		
Number of LEDs	P _t (W)	(lm)	(lm/W)	P _t (W)	(lm)	(lm/W)	P _t (W)	(lm)	(lm/W)
16	21.4	2147	100	28.2	3097	110	36	3932	109
32	34.4	4294	125	48.8	6193	127	68.9	7863	114
48	51	6441	126	72.6	9290	128	102.3	11795	115

ORDERING INFORMATION

Model	# LED	COLOR TEMP	DRIVE CURRENT	DISTRIBUTION	LINE VOLTAGE	MOUNTING	COLOR
ATIL							
	16	3-3000K	350	T2	UNV - (120v to 277v)	TP-Top Mounted	BLK-Black
	32	4-4000K	500	T3	HUNV - (347v to 480v)	SU - Suspended	BRZ-Bronze
	48		700	T4			SLV-Silver
			CUSTOM	T5			WHT-White
							RAL