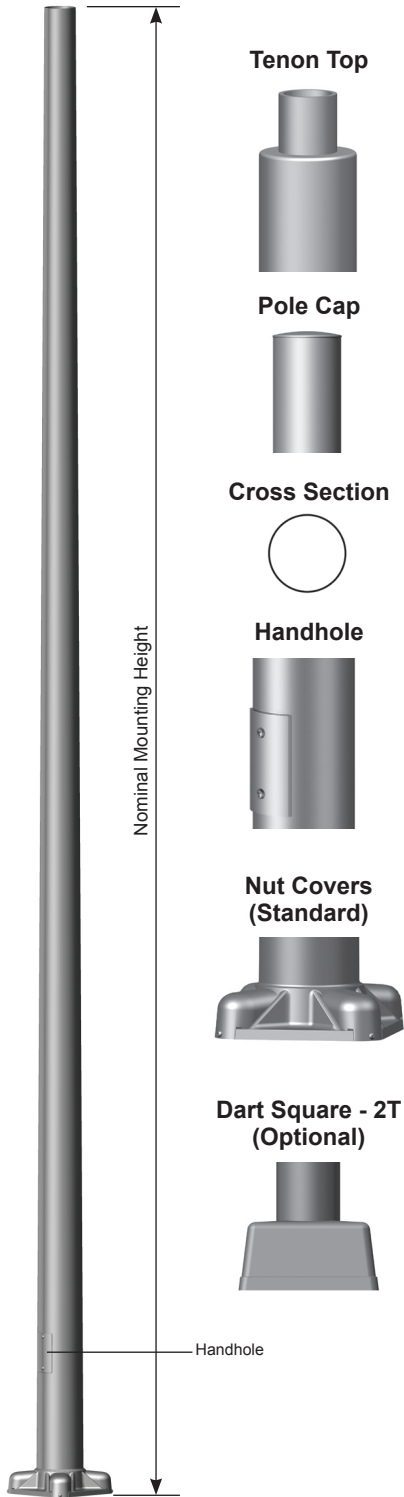


Job Name: _____	Client Name: _____
Job Location - City: _____ State: _____	Created By: _____ Date: _____
Product: _____ Quote: _____	Customer Approval: _____ Date: _____

**SPECIFICATIONS**



**Pole** - The pole shaft is spun from seamless alloy aluminum.

**Pole Top** - A pole top tenon is provided for top mount luminaire and/or bracket. A removable pole cap is available for poles receiving drilling patterns for side-mount luminaire arm assemblies.

**Handhole** - A covered handhole with hardware and grounding provision are provided.

**Base Cover** - Optional Dart Square-2T cast and decorative base covers available as special order.

**Anchor Base** - The anchor base is cast from 356 alloy aluminum. The completed assembly is heat-treated to a T6 temper. Aluminum nut covers are included with anchor base unless otherwise specified.

**Anchor Bolts** - Anchor bolts conform to ASTM F1554 Grade 55 and are provided with two hex nuts and two flat washers. Bolts have an "L" bend on one end and are galvanized a minimum of 12" on the threaded end.

**Finish** - The standard finish for the pole assembly and components is satin brushed, natural anodize, duranodic or polyester powder applied coating in accordance with Valmont's Specifications. Additional finish options available upon request.

**Design Criteria** - Please reference Design Criteria Specification for appropriate design conditions.

# 8' to 16' ROUND TAPERED ALUMINUM 4-Bolt Anchor Base



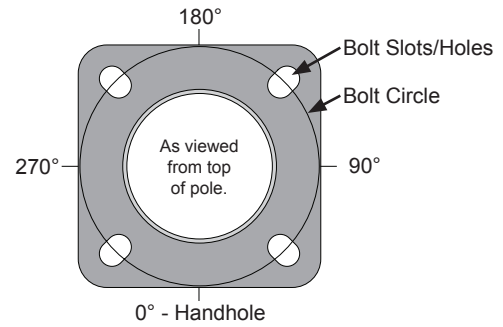
STRUCTURES

Job Name: _____	Client Name: _____
Job Location - City: _____ State: _____	Created By: _____ Date: _____
Product: _____ Quote: _____	Customer Approval: _____ Date: _____

## ANCHORAGE DATA

POLE		BASE PLATE				ANCHOR BOLTS			
BASE OD (IN)	WALL THK (IN)	BOLT CIRCLE		SQUARE (IN)	THK (IN)	DIA x LENGTH x HOOK (IN)	PROJECTION (IN)	± (IN)	
		DIA (IN)	± (IN)						
4.00	0.125	7.50	0.75	8.91	0.630	0.75 x 17.00 x 3.00	3.25	N/A	
5.00	0.125	8.63	0.88	9.61	0.630	0.75 x 17.00 x 3.00	3.25	N/A	
5.00	0.156	8.63	0.88	9.61	0.630	0.75 x 17.00 x 3.00	3.25	N/A	
5.00	0.188	8.63	0.88	9.61	0.630	0.75 x 17.00 x 3.00	3.25	N/A	
6.00	0.156	9.50	0.75	10.32	0.630	0.75 x 17.00 x 3.00	3.50	N/A	
6.00	0.188	9.50	0.75	10.32	0.630	0.75 x 17.00 x 3.00	3.50	N/A	

Anchor Base Detail



## LOAD AND DIMENSIONAL DATA

NOMINAL MOUNTING HEIGHT	DESIGN INFORMATION										POLE DIMENSIONS					
	70 MPH w/1.3 GUST		80 MPH w/1.3 GUST		90 MPH w/1.3 GUST		100 MPH w/1.3 GUST		110 MPH w/1.3 GUST		POLE HEIGHT	BASE OD (IN)	TOP OD (IN)	WALL THK (IN)	STRUCTURE WEIGHT2 (LBS)	MODEL NUMBER
	MAX EPA1 (SQ FT)	MAX WEIGHT (LBS)	MAX EPA1 (SQ FT)	MAX WEIGHT (LBS)	MAX EPA1 (SQ FT)	MAX WEIGHT (LBS)	MAX EPA1 (SQ FT)	MAX WEIGHT (LBS)	MAX EPA1 (SQ FT)	MAX WEIGHT (LBS)						
8'-0"	11.3	75	8.5	75	6.5	75	5.1	75	4.1	75	7'-8"	4.00	3.00	0.125	17	070830404T4
	8.7	75	6.4	75	4.8	75	3.7	75	2.9	75	9'-8"	4.00	3.00	0.125	20	090830404T4
10'-0"	16.4	75	12.3	75	9.5	75	7.5	75	6.1	75	9'-8"	5.00	3.00	0.125	24	090830504T4
	6.7	75	4.8	75	3.5	75	2.6	75	1.9	75	11'-8"	4.00	3.00	0.125	23	110830404T4
12'-0"	13.3	75	9.8	75	7.4	75	5.8	75	4.6	75	11'-8"	5.00	3.00	0.125	26	110830504T4
	16.6	75	12.4	75	9.5	75	7.4	75	6.0	75	11'-8"	5.00	3.00	0.156	31	110830505T4
	19.9	100	14.8	100	11.4	100	9.0	100	7.3	100	11'-8"	5.00	3.00	0.188	36	110830506T4
14'-0"	5.2	75	3.5	75	2.4	75	1.6	75	1.1	75	13'-8"	4.00	3.00	0.125	27	130830404T4
	10.8	75	7.8	75	5.8	75	4.4	75	3.4	75	13'-8"	5.00	3.00	0.125	31	130830504T4
	13.7	75	10.0	75	7.5	75	5.8	75	4.6	75	13'-8"	5.00	3.00	0.156	37	130830505T4
	16.4	100	12.1	100	9.2	100	7.2	100	5.7	100	13'-8"	5.00	3.00	0.188	43	130830506T4
16'-0"	3.8	75	2.4	75	1.5	75	0.8	75	0.4	75	15'-8"	4.00	3.00	0.125	30	150830404T4
	8.5	75	6.0	75	4.3	75	3.2	75	2.4	75	15'-8"	5.00	3.00	0.125	35	150830504T4
	10.9	75	7.8	75	5.8	75	4.4	75	3.4	75	15'-8"	5.00	3.00	0.156	42	150830505T4
	13.2	100	9.6	100	7.2	100	5.5	100	4.3	100	15'-8"	5.00	3.00	0.188	50	150830506T4
	18.8	100	14.0	100	10.7	100	8.5	100	6.9	100	15'-8"	6.00	4.00	0.156	53	150840605T4
	22.9	100	17.1	100	13.2	100	10.5	100	8.6	100	15'-8"	6.00	4.00	0.188	62	150840606T4

- EPA represents the Effective Projected Area of each luminaire. Designs are limited to top mount or side-mount luminaires. Variations from sizes above are available upon inquiry at the factory. Satisfactory performance of poles is dependent upon the pole being properly attached to a supporting foundation of adequate design.
- Structure weight is a nominal value which includes the pole shaft and base plate.

## PRODUCT ORDERING CODES

CROSS SECTION	MODEL NUMBER	FIXTURE MOUNTING	COLOR	OPTIONS	
R		--			
R = Round	070830404T4 090830404T4 090830504T4 110830404T4 110830504T4 110830505T4 110830506T4 130830404T4 130830504T4 130830505T4 130830506T4 150830404T4 150830504T4 150830505T4 150830506T4 150840605T4 150840606T4	<b>Drill Mounting</b> D1 = 1 Luminaire D2 = 2 @ 180° D3 = 3 @ 120° D4 = 4 @ 90° D5 = 2 @ 90° D6 = 3 @ 90° <b>Tenon Mounting</b> P2 = 2.38" OD x 4.00" P3 = 3.50" OD x 6.00" P4 = 4.00" OD x 6.00" P5 = 2.88" OD x 4.00" P7 = 2.38" OD x 5.00" PQ = 2.38" OD x 12.00" PD = 3.00" OD x 3.00" -- = Plain Top P9 = Other Tenon (Contact Factory)	<b>Polyester Powder</b> DWH = White DSS = Sandstone BR = Burgundy HG = Hunter Green DNA = Natural Aluminum DCG = Charcoal Gray DMB = Medium Bronze SBN = Sanded Brown DNB = New Dark Bronze DDB = Dark Bronze SBK = Sanded Black DBL = Black DSB = Steel Blue DTG = Dark Green DBR = Red SC = Special Color (Contact Factory)	<b>Anodized</b> 204 = Clear Natural 311 = Light Bronze* 312 = Medium Bronze* 313 = Dark Bronze* 335 = Black* *Durandic Anodize <b>Brushed</b> SBF = Satin Brushed	See Accessories at valmontstructures.com (Please Specify with Code)