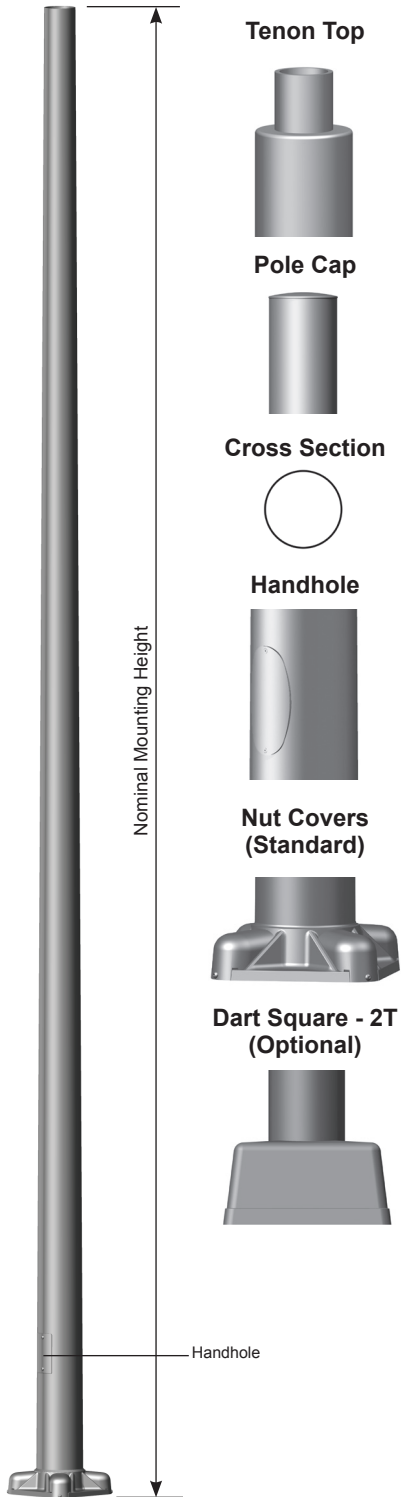


Job Name: _____	Client Name: _____
Job Location - City: _____ State: _____	Created By: _____ Date: _____
Product: _____ Quote: _____	Customer Approval: _____ Date: _____

SPECIFICATIONS



Pole - The pole shaft is spun from seamless alloy aluminum.

Pole Top - A pole top tenon is provided for top mount luminaire and/or bracket. A removable pole cap is available for poles receiving drilling patterns for side-mount luminaire arm assemblies.

Handhole - A covered handhole with hardware and grounding provision are provided.

Base Cover - Optional Dart Square-2T cast and decorative base covers available as special order.

Anchor Base - The anchor base is cast from 356 alloy aluminum. The completed assembly is heat-treated to a T6 temper. Aluminum nut covers are included with anchor base unless otherwise specified.

Anchor Bolts - Anchor bolts conform to ASTM F1554 Grade 55 and are provided with two hex nuts and two flat washers. Bolts have an "L" bend on one end and are galvanized a minimum of 12" on the threaded end.

Finish - The standard finish for the pole assembly and components is satin brushed, natural anodize, duranodic or polyester powder applied coating in accordance with Valmont's Specifications. Additional finish options available upon request.

Design Criteria - Please reference Design Criteria Specification for appropriate design conditions.

28' to 33' ROUND TAPERED ALUMINUM 4-Bolt Anchor Base

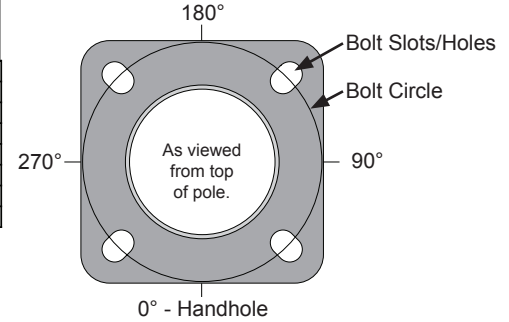


Job Name: _____	Client Name: _____
Job Location - City: _____ State: _____	Created By: _____ Date: _____
Product: _____ Quote: _____	Customer Approval: _____ Date: _____

ANCHORAGE DATA

POLE	BASE PLATE				ANCHOR BOLTS				
	BASE OD (IN)	WALL THK (IN)	BOLT CIRCLE		SQUARE (IN)	THK (IN)	DIA X LENGTH X HOOK (in)	PROJECTION (IN)	+/- (IN)
		DIA (IN)	± (IN)						
7.00	0.156	10.56	0.43	11.26	0.750	1.00 x 36.00 x 4.00	4.13	N/A	
8.00	0.156	11.63	0.37	12.05	0.750	1.00 x 36.00 x 4.00	4.13	N/A	
8.00	0.188	11.63	0.37	12.05	0.750	1.00 x 36.00 x 4.00	4.13	N/A	
8.00	0.250	11.63	0.37	12.05	0.750	1.00 x 36.00 x 4.00	4.13	N/A	
9.00	0.156	13.25	0.75	12.48	1.250	1.00 x 36.00 x 4.00	4.13	N/A	
9.00	0.188	13.25	0.75	12.48	1.250	1.00 x 36.00 x 4.00	4.13	N/A	
10.00	0.188	14.25	0.75	13.19	1.250	1.00 x 36.00 x 4.00	4.75	N/A	
10.00	0.250	14.50	0.50	14.00	1.250	1.25 x 42.00 x 6.00	5.25	N/A	

Anchor Base Detail



LOAD AND DIMENSIONAL DATA

NOMINAL MOUNTING HEIGHT	DESIGN INFORMATION										POLE DIMENSIONS					
	70 MPH w/1.3 GUST		80 MPH w/1.3 GUST		90 MPH w/1.3 GUST		100 MPH w/1.3 GUST		110 MPH w/1.3 GUST		POLE HEIGHT	BASE OD (IN)	TOP OD (IN)	WALL THK (IN)	STRUCTURE WEIGHT ² (LBS)	MODEL NUMBER
	MAX EPA ¹ (SQ FT)	MAX WEIGHT (LBS)	MAX EPA ¹ (SQ FT)	MAX WEIGHT (LBS)	MAX EPA ¹ (SQ FT)	MAX WEIGHT (LBS)	MAX EPA ¹ (SQ FT)	MAX WEIGHT (LBS)	MAX EPA ¹ (SQ FT)	MAX WEIGHT (LBS)						
28'-0"	10.5	150	7.1	150	5.0	150	3.7	150	2.8	150	27'-8"	7.00	4.00	0.156	92	+270840705T4
	15.5	150	11.1	150	8.3	150	6.5	150	5.1	150	27'-8"	8.00	4.50	0.156	105	270845805T4
	19.6	150	14.3	150	10.8	150	8.5	150	6.8	150	27'-8"	8.00	4.50	0.188	124	270845806T4
	27.4	150	20.2	150	15.5	150	12.3	150	9.9	150	27'-8"	8.00	4.50	0.250	161	270845808T4
	21.4	150	15.7	150	12.0	150	9.4	150	7.5	150	27'-8"	9.00	4.50	0.156	116	270845905T4
	26.8	150	19.8	150	15.2	150	12.0	150	9.7	150	27'-8"	9.00	4.50	0.188	137	270845906T4
	34.5	200	26.0	200	20.2	200	16.0	200	12.9	200	27'-8"	10.00	6.00	0.188	161	270860106T4
30'-0"	46.6	300	35.3	300	27.5	300	22.0	300	17.8	300	27'-8"	10.00	6.00	0.250	217	270860108T4
	8.8	150	5.7	150	3.8	150	2.7	150	2.0	150	29'-8"	7.00	4.00	0.156	99	+290840705T4
	13.3	150	9.3	150	6.9	150	5.3	150	4.1	150	29'-8"	8.00	4.50	0.156	113	+290845805T4
	17.1	150	12.2	150	9.2	150	7.1	150	5.6	150	29'-8"	8.00	4.50	0.188	134	290845806T4
	18.8	150	13.6	150	10.3	150	8.0	150	6.3	150	29'-8"	9.00	4.50	0.156	127	+290845905T4
	23.7	150	17.4	150	13.3	150	10.4	150	8.3	150	29'-8"	9.00	4.50	0.188	149	290845906T4
	24.2	150	17.7	150	13.6	150	10.7	150	8.6	150	29'-8"	8.00	4.50	0.250	174	290845808T4
33'-0"	30.9	200	23.2	200	17.9	200	14.1	200	11.3	200	29'-8"	10.00	6.00	0.188	175	290860106T4
	41.9	300	31.7	300	24.6	300	19.6	300	15.8	300	29'-8"	10.00	6.00	0.250	235	290860108T4
	10.4	150	7.1	150	5.1	150	3.8	150	2.9	150	32'-8"	8.00	4.50	0.156	124	+320845805T4
	13.8	150	9.7	150	7.1	150	5.5	150	4.2	150	32'-8"	8.00	4.50	0.188	147	320845806T4
	15.3	150	10.9	150	8.1	150	6.2	150	4.8	150	32'-8"	9.00	4.50	0.156	138	+320845905T4
	19.7	150	14.2	150	10.7	150	8.4	150	6.6	150	32'-8"	9.00	4.50	0.188	163	320845906T4
	20.1	150	14.5	150	11.0	150	8.6	150	6.8	150	32'-8"	8.00	4.50	0.250	190	320845808T4
26.0	200	19.4	200	14.9	200	11.7	200	9.2	200	32'-8"	10.00	6.00	0.188	191	320860106T4	
35.8	300	26.9	300	20.8	300	16.4	300	13.1	300	32'-8"	10.00	6.00	0.250	257	320860108T4	

1. EPA represents the Effective Projected Area of each luminaire. Designs are limited to top mount or side-mount luminaires. Variations from sizes above are available upon inquiry at the factory. Satisfactory performance of poles is dependent upon the pole being properly attached to a supporting foundation of adequate design.
 2. Structure weight is a nominal value which includes the pole shaft and base plate.
 + Pole includes factory installed vibration damper.

PRODUCT ORDERING CODES

CROSS SECTION	MODEL NUMBER	FIXTURE MOUNTING	COLOR	OPTIONS	
R		--			
R = Round	+270840705T4 270845805T4 270845806T4 270845808T4 270845905T4 270845906T4 270860106T4 270860108T4 +290840705T4 +290845805T4 290845806T4 +290845905T4 290845906T4 290845808T4 290860106T4 290860108T4 +320845805T4 320845806T4 +320845905T4 320845906T4 320845808T4 320860106T4 320860108T4	Drill Mounting D1 = 1 Luminaire D2 = 2 @ 180° D3 = 3 @ 120° D4 = 4 @ 90° D5 = 2 @ 90° D6 = 3 @ 90° Tenon Mounting P2 = 2.38" OD x 4.00" P3 = 3.50" OD x 6.00" P4 = 4.00" OD x 6.00" P5 = 2.88" OD x 4.00" P7 = 2.38" OD x 5.00" PQ = 2.38" OD x 12.00" PD = 3.00" OD x 3.00" -- = Plain Top P9 = Other Tenon (Contact Factory)	Polyester Powder DWH = White DSS = Sandstone BR = Burgundy HG = Hunter Green DNA = Natural Aluminum DCG = Charcoal Gray DMB = Medium Bronze SBN = Sanded Brown DNB = New Dark Bronze DDB = Dark Bronze SBK = Sanded Black DBL = Black DSB = Steel Blue DTG = Dark Green DBR = Red SC = Special Color (Contact Factory)	Anodized 204 = Clear Natural 311 = Light Bronze* 312 = Medium Bronze* 313 = Dark Bronze* 335 = Black* *Duranodic Anodize Brushed SBF = Satin Brushed	See Accessories at valmontstructures.com (Please Specify with Code)