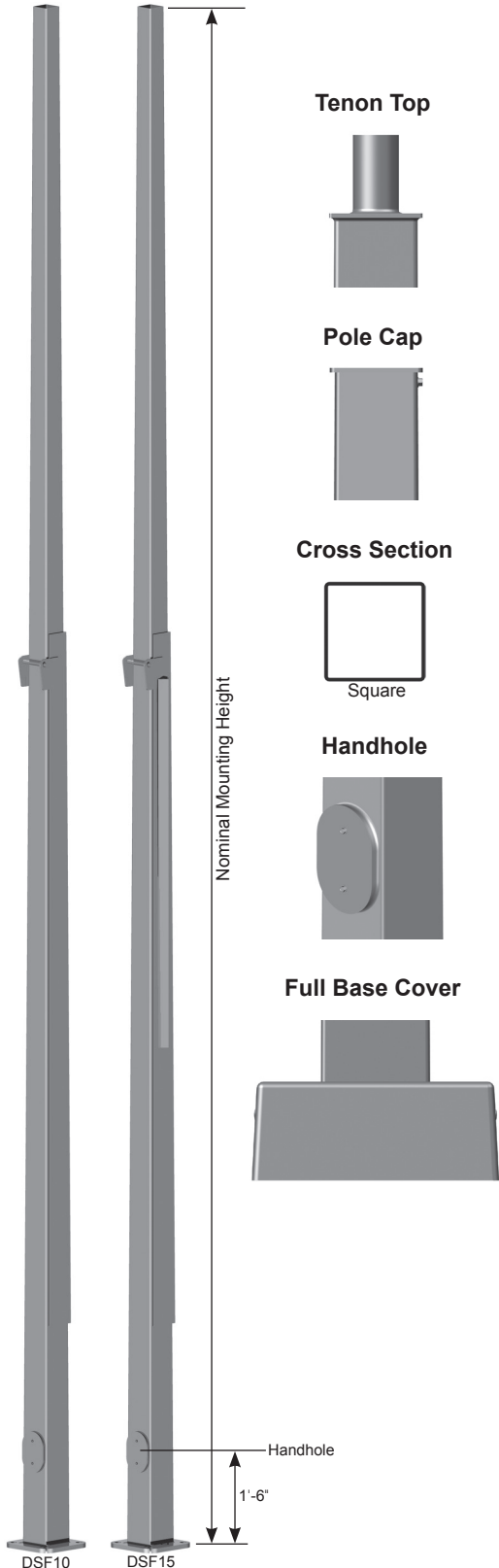


Job Name: _____	Client Name: _____
Job Location - City: _____ State: _____	Created By: _____ Date: _____
Product: _____ Quote: _____	Customer Approval: _____ Date: _____



SPECIFICATIONS

Pole - The pole shaft for 4.00" non-tapered square poles is fabricated from hot rolled commercial quality carbon steel of one-piece construction with a minimum yield strength of 55,000 psi. The pole shaft for all other sizes conforms to ASTM A595 Grade A or A572 Grade 55 with a constant linear taper of 0.11 in/ft.

Pole Top - Pole is provided with either a tenon top or drilled for a fixture mounting. A removable pole cap is provided for drilled poles. Consult the luminaire manufacturer for correct tenon size or drill pattern. Other pole top options include pole cap only (PC) or plain top (PL) which is typical when the pole top diameter matches the necessary slip fit dimensions.

Hinge - The external hinge includes a stainless steel pin. A flexible guide is provided for wiring protection through the hinge area.

Shroud - The shroud is fabricated from weldable grade, hot rolled commercial quality carbon steel with a minimum yield strength of 45,000 psi. It is a one-piece formed channel which conforms to the pole shaft taper. The shroud is secured by a threaded stud and nut with provisions for a padlock to prevent accidental or unauthorized lowering.

Winch - A removable winch is available for raising and lowering the pole.

Handhole - A reinforced handhole with grounding provision is provided at 1'-6" from the base end of the pole assembly. Each handhole includes a cover and the cover attachment hardware. Poles with a 4.00" base square are supplied with a 3" X 5" rectangular handhole. All other pole assemblies are provided with a 4" X 6.5" ovalized handhole. Handhole dimensions are nominal.

Full Base Cover - Optional two-piece full base cover is fabricated from ABS plastic. Valmont reserves the right to provide a two-piece steel full base cover on some applications depending upon the finish requirement and/or pole base square.

Anchor Bolts - Anchor bolts conform to ASTM F1554 Grade 55 and are provided with two hex nuts and two flat washers. Bolts have an "L" bend on one end and are galvanized a minimum of 12" on the threaded end.

Hardware - All structural fasteners are galvanized high strength carbon steel. All non-structural fasteners are galvanized or zinc-plated carbon steel or stainless steel.

Finish - Standard finishes are either Galvanized (GV) or Finish Painted (FP). Additional finish options including Finish Paint over Galvanizing (FPGV) or any of the V-PRO™ Finish Coating Systems are available upon request. See the product ordering code for color options.

Design Criteria - Please reference Design Criteria Specification for appropriate design conditions.

HINGED STEEL DSF10 & DSF15 External

Job Name: _____	Client Name: _____
Job Location - City: _____ State: _____	Created By: _____ Date: _____
Product: _____ Quote: _____	Customer Approval: _____ Date: _____

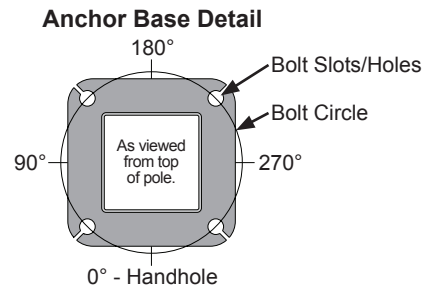
DESIGNATION, LOAD AND DIMENSIONAL DATA

NOMINAL MOUNTING HEIGHT	DESIGN INFORMATION						POLE DIMENSIONS					DESIGNATION
	80 MPH w/1.3 GUST		90 MPH w/1.3 GUST		100 MPH w/1.3 GUST		BASE OD (IN)	TOP OD (IN)	WALL THK (GA)	STRUCTURE WEIGHT ² (LBS)	OPERATIONAL RADIUS	
	MAX LUMINAIRE EPA ¹ (SQFT)	MAX LUMINAIRE WEIGHT ¹ (LBS)	MAX LUMINAIRE EPA ¹ (SQFT)	MAX LUMINAIRE WEIGHT ¹ (LBS)	MAX LUMINAIRE EPA ¹ (SQFT)	MAX LUMINAIRE WEIGHT ¹ (LBS)						
DSF10												
20'-0"	11.6	217	8.5	217	6.2	217	4.00	4.00	7	300	9'-3"	400F200
25'-0"	7.1	160	4.8	160	3.1	160	4.00	4.00	7	370	11'-9"	400F250
	18.0	254	13.0	254	9.3	254	6.41	3.66	11	355	10'-10"	641A250
30'-0"	4.0	120	2.1	120	0.8	120	4.00	4.00	7	435	14'-3"	400F300
	12.5	230	8.3	230	5.1	230	6.41	3.11	11	440	14'	641A300
35'-0"	7.1	160	3.2	160	N/A	N/A	7.18	3.33	11	540	17'	718A350
	22.0	155	16.9	155	12.1	155	7.13	3.28	7	700	17'	713E350
39'-0"	4.3	135	N/A	N/A	N/A	N/A	7.18	2.92	11	555	19'-3"	718A389
	19.5	110	13.5	110	9.2	110	7.13	2.87	7	740	19'-3"	713E389
DSF15												
25'-0"	17.5	493	12.6	493	9.0	493	6.41	3.66	11	355	10'-10"	641A250
30'-0"	12.0	446	7.8	446	4.7	446	6.41	3.11	11	440	14'	641A300
35'-0"	6.7	334	3.0	334	N/A	N/A	7.18	3.33	11	540	17'	718A350
	22.0	347	16.4	347	11.7	347	7.13	3.28	7	700	17'	713E350
39'-0"	4.0	295	N/A	N/A	N/A	N/A	7.18	2.92	11	555	19'-3"	718A389
	18.9	271	13.1	271	8.9	271	7.13	2.87	7	740	19'-3"	713E389

- Maximum EPA (Effective Projected Area) and weight values are based on top mounted luminaires and/or brackets having a centroid 2'-6" above the Nominal Mounting Height. Variations from sizes above are available upon inquiry at the factory. Satisfactory performance of poles is dependent upon the pole being properly attached to a supporting foundation of adequate design.
- Structure Weight is a nominal value which includes the pole shaft and base plate only.
- DSF15 designs utilize two shroud stiffener support angles.
- CAUTION: To prevent damage to the pole, the winch cable must be kept taut when raising or lowering the pole.
- CAUTION: To properly operate the hinge mechanism, a minimum pole top load of 50 lbs. is required on DSF10 designs and a minimum load of 75 lbs. is required on DSF15 designs.

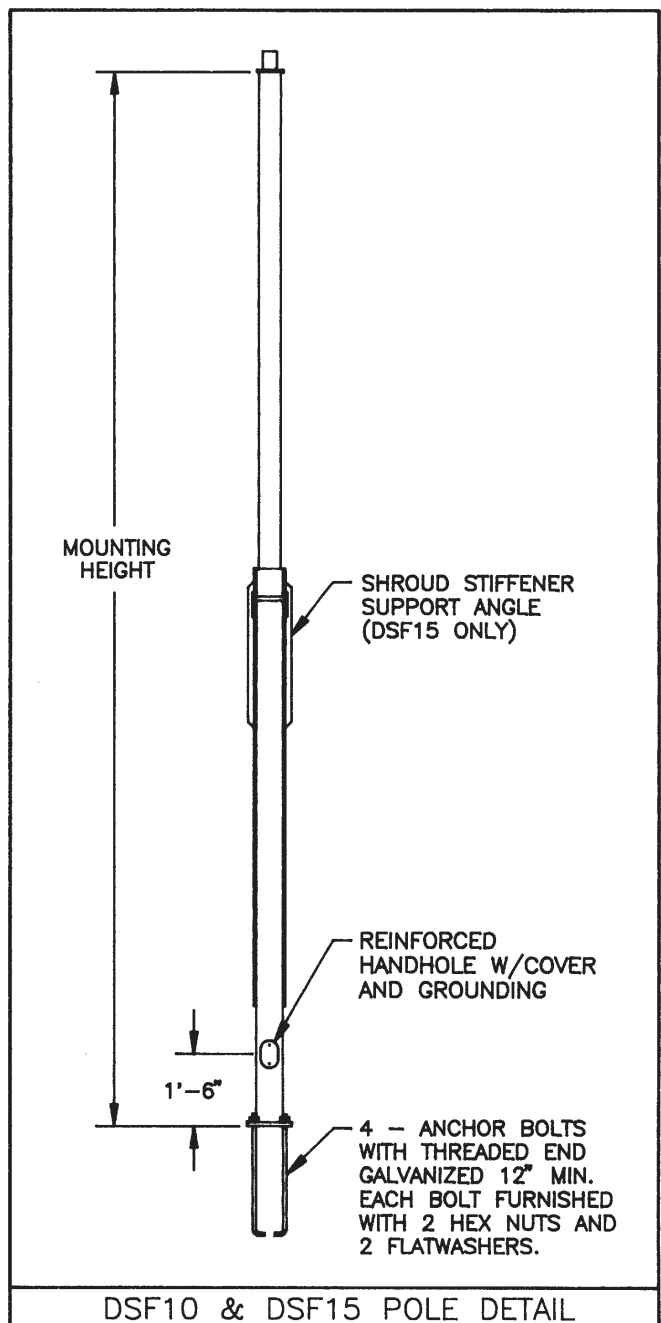
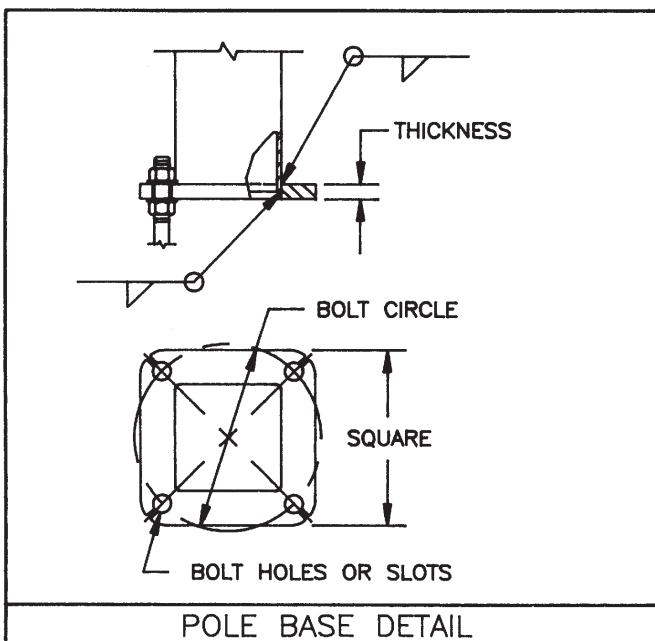
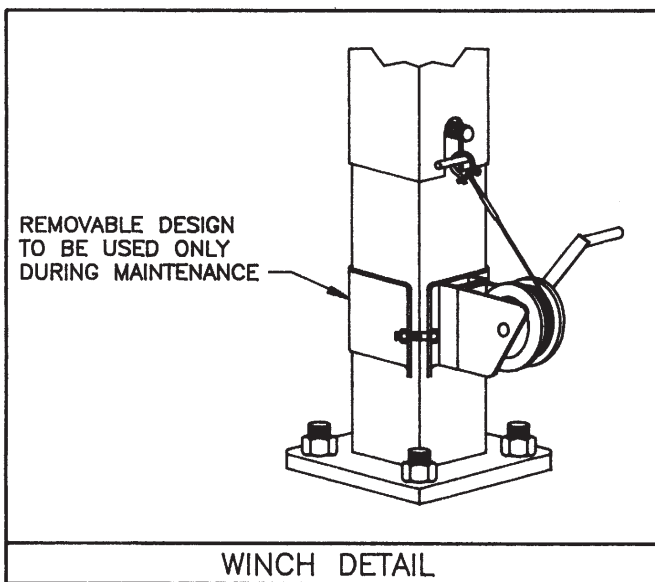
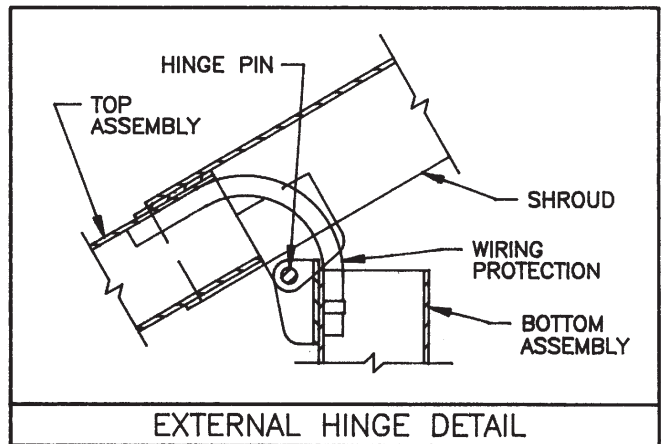
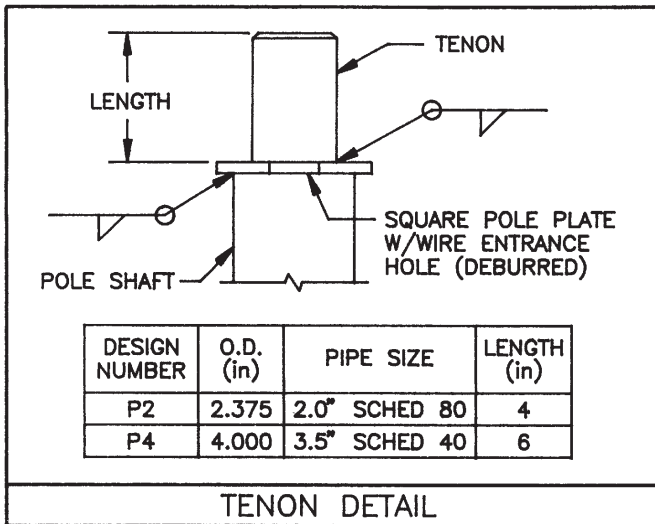
ANCHORAGE DATA

POLE BASE SQUARE (IN)	POLE DIMENSIONS AT BASE				ANCHOR BOLTS			
	BOLT CIRCLE		SQUARE (IN)	THK (IN)	DIA x LENGTH x HOOK (IN)	PROJECTION (IN)	+ (IN)	
DIA (IN)	+ (IN)							
4.00	9.25	0.75	9.75	0.750	0.75 x 17.00 x 3.00	3.50	0.25	
6.41	12.50	N/A	11.88	0.875	1.00 x 36.00 x 4.00	4.13	0.25	
7.13	13.50	N/A	12.63	1.250	1.00 x 36.00 x 4.00	4.50	0.25	
7.18	13.50	N/A	12.63	0.875	1.00 x 36.00 x 4.00	4.13	0.25	



PRODUCT ORDERING CODES

MODEL	DESIGNATION	FIXTURE MOUNTING	FINISH SYSTEM	STANDARD COLOR OPTIONS	BASE COVER	ANCHOR BOLTS	SUPPLEMENTAL INFO																				
DSF10 DSF15	Select Correct Designation from the Load and Dimensional Data Chart.	Drill Mounting (See Orientation) D1 = (1) Drilling @ 270° D2 = (2) Drillings @ 90° & 270° D4 = (4) Drillings @ 0°, 90°, 180°, & 270° D5 = (2) Drillings @ 180° & 270° D6 = (3) Drillings @ 90°, 180°, & 270° Tenon Mounting P2 = 2.38" OD x 4" tenon P4 = 4.00" OD x 6" tenon P5 = 2.88" OD x 4" tenon P6 = 2.88" OD x 5" tenon P7 = 2.38" OD x 5" tenon P9 = Special Size (Specify) Other Options PC = Pole Cap PL = Plain Top (No Cap)	GV = Galvanized FP = Finish Painted -----OPTIONAL----- FPGV = Finish Paint over Galvanizing VP30 = V-PRO™ 30 System VP32 = V-PRO™ 32 System VP53 = V-PRO™ 53 System VP54 = V-PRO™ 54 System VP57 = V-PRO™ 57 System VP100 = V-PRO™ 100 System VP105 = V-PRO™ 105 System	GV = Galvanized BK = Black DB = Dark Bronze MB = Medium Bronze WH = White LG = Light Gray CB = Bronze DG = Dark Green ST = Sandstone HG = Hunter Green SG = Slate Gray SL = Silver SC = Special Color (Specify)	-----OPTIONAL----- FBC = Full Base Cover	AB = With Anchor Bolts LAB = Without Anchor Bolts	See Accessories at valmontstructures.com (Please Specify with Code) Which is Optional: <table style="font-size: small;"> <tr> <th>Model Number</th> <th>Valmont Part Numbers</th> </tr> <tr><td>400F200</td><td>2180A</td></tr> <tr><td>400F250</td><td>2180A</td></tr> <tr><td>641A250</td><td>2136</td></tr> <tr><td>400F300</td><td>2180A</td></tr> <tr><td>641A300</td><td>2136</td></tr> <tr><td>718A350</td><td>2135</td></tr> <tr><td>713E350</td><td>2135</td></tr> <tr><td>718A389</td><td>2135</td></tr> <tr><td>713E389</td><td>2135</td></tr> </table>	Model Number	Valmont Part Numbers	400F200	2180A	400F250	2180A	641A250	2136	400F300	2180A	641A300	2136	718A350	2135	713E350	2135	718A389	2135	713E389	2135
Model Number	Valmont Part Numbers																										
400F200	2180A																										
400F250	2180A																										
641A250	2136																										
400F300	2180A																										
641A300	2136																										
718A350	2135																										
713E350	2135																										
718A389	2135																										
713E389	2135																										



SPC7362 02/17 valmontstructures.com carries the most current spec information and supercedes these guidelines.