

LightGrid Internal Node

Outdoor Wireless Control System 2.0



Description

LightGrid Outdoor Wireless Control System from GE allows remote monitoring and control, utility-grade energy measurement of streetlights.

Applications

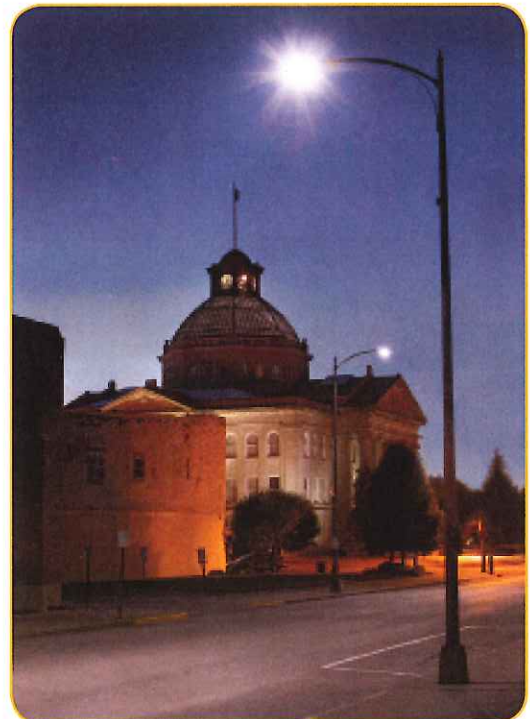
- Street Lighting
- Area Lighting



Product Features

- Utility Grade Measurement up to 2% Accuracy
- Self-forming & self-restoring mesh network
- IPV6 data addressing and routing
- Reliable and certificate based secure communications
- Secure over the air (OTA) upgrade
- Utility grade up to 15 minute time of use Energy consumption reporting
- Time Based Lighting schedules to maximize energy savings
- Real time measurement and storage of Voltage, Current, Wattage, Power Factor, Temperature and Hours of operation

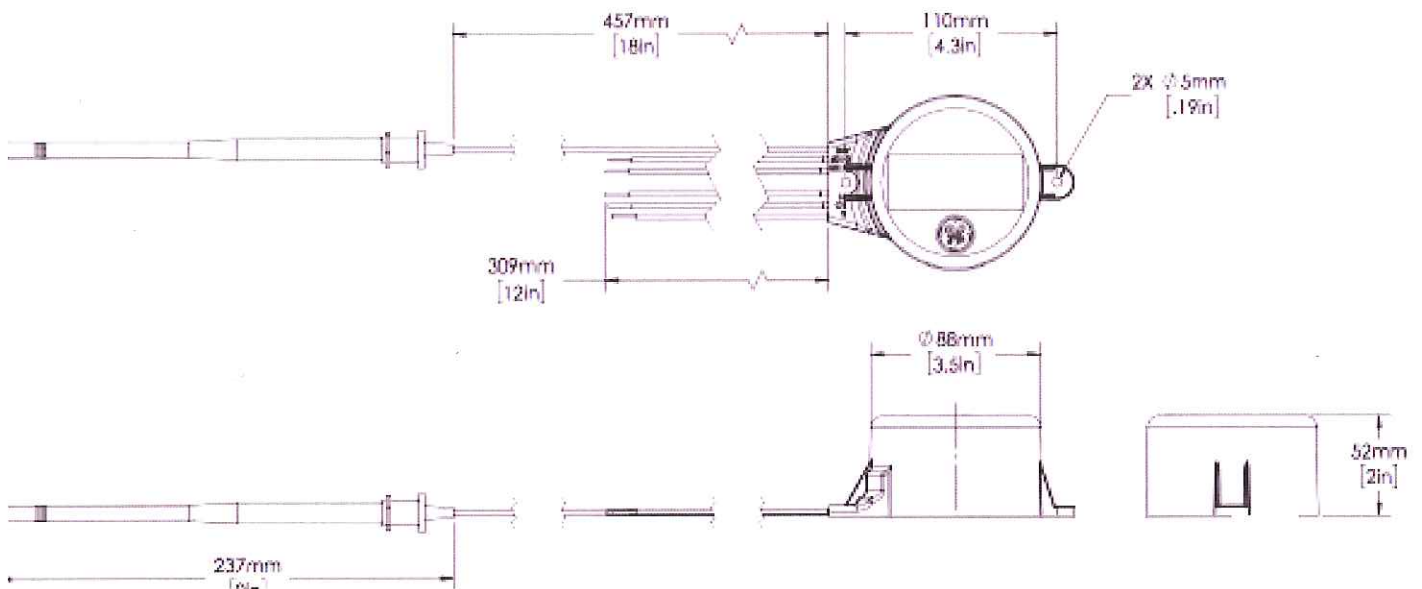
[Handwritten Signature]
APPROVED
1/20/16



Product Specifications

- Input Voltage: 120-277V
- Radio Frequency: 915 MHz ISM Band
- Network Communication: IEEE 802.15.4, 6LoWPAN, 50 Channel FHSS
- Addressing: IPv6
- Dimming: 0-10V
- Operating Temperature: -40 to +70C
- Surge: Meets ANSI C62.41 6KV, 3KA Combination Wave
- Power consumption average 2W 120-277V,
- Maximum Load Wattage: 500W
- Security: AES Encryption and Certificate based authentication
- Utility Grade Metering: Complies with relevant sections of ANSI C12.20
- Color: Black
- Antenna: External
- Complies with FCC Part 15 required sub sections
- Complies with cUL/UL
- IP65

Product Dimensions



Ordering Code

ELWN0IXXXXXAD

APPROVED
29/08/2017



www.currentbyge.com

All trademarks are the property of their respective owners. Information provided is subject to change without notice. All values are design or typical values when measured under laboratory conditions. Current, powered by GE is a business of the General Electric Company.
 © 2016 GE.

CTRL019 (Rev 7/24/17)