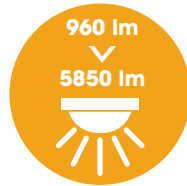


RAGNI LIGHTING

IRYS



PROJECTOR | FLOODLIGHT | IRYS



Relating to the prevention, reduction and limitation of light nuisance: product configuration to be defined according to the nature of the project.





With its cylindrical profile, the Irys has been designed for architectural and accent lighting. Available in two versions, the Irys floodlights have an IP66 aluminum body and an IK08 tempered glass finish. With a maximum intensity of 700 mA, Irys mega can accommodate up to 3 COB LEDs while Irys mini integrates a single COB LED. Wall-mounted or on a pole, it offers a tilt range from +10° to -108° and 360° rotation. With a range of accessories to modify its functionality and/or modulate its projection, the Irys offers both original and nuanced lighting designs, thanks in particular to its different light distributions, a wide variety of color temperatures and the possibility of RGBW lighting.



IRYS mega

FLOODLIGHT SPECIFICATIONS

- 1,2 or 3 COB LED
- Orientation on two axes (tilt & rotation)
- Driver integrated into the luminaire
- IP66 vent
- Cable gland
- Pre-wired

OPTICAL UNIT & CONTROL GEAR SPECIFICATIONS

1 to 3 LED COB - From 1392 to 6066 lm (see attached Irys datasheet for details on power, light intensities and available photometries) ULR (by tilting): 0° = 0% / 5° = 0.1% / 10° = 0.44% / 15° = 0.97% / 20° = 1.6% / 25° = 2.4% / 30° = 3.3% / 35° = 4%. . (ULR: Upward Light Ratio)

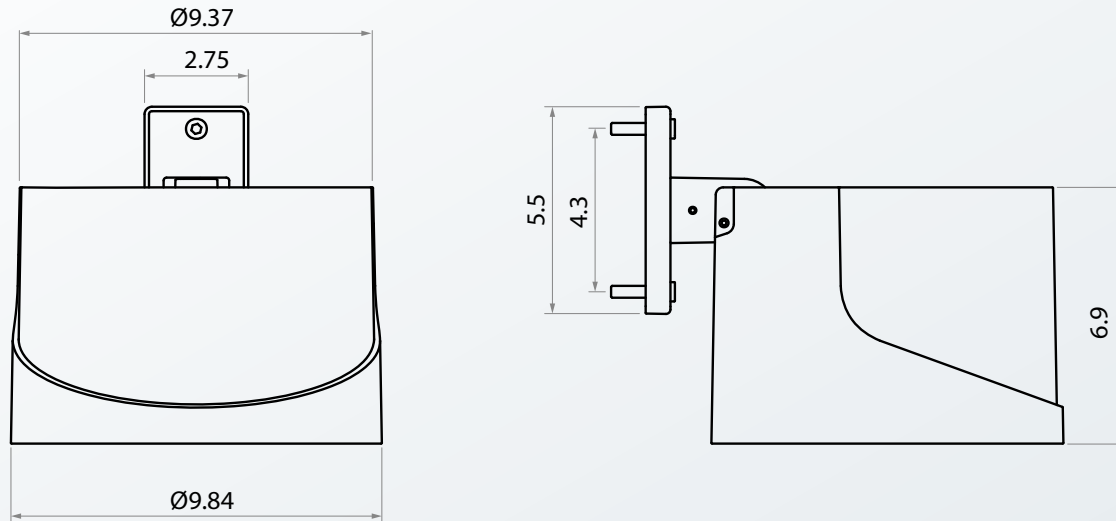
Electric class	I and II
Protection index (Optical unit)	IP66
Shock resistance (Optical unit)	IK08



Conformities

IEC/EN 60598-1 / IEC/EN 60598-2-3 / NF EN 60529 / NF EN 62262 / IEC/EN 55015 / IEC/EN 61547 / IEC/EN 61000-3.2 / IEC/EN 61000-3.3 / IEC/EN 62493 / IEC/EN 62031 / IEC/EN 62471 / IEC/EN 61347-1 / IEC/EN 61347-2-13 / NF EN 13201-3 / NF EN 13201-4 / EN 13032-1+A1 & prEn 13032-4 / LM79 / NF EN 12981

Dimensions (in)



IRYS mega

Weight* (lbs) <i>without control gear</i>	13.3
Fixture EPA	0.215
Protection index (Body)	IP66
Shock resistance (Body)	IK10
Materials - Body LED Covering	Aluminum Tempered glass

OPTIONS

- Possibility of lighting management (control, automatic lowering of intensity etc.)
- Surge protector
- RGBW
- Accessories for changing function: Camera or Loudspeaker
- Projector accessories: Cap or Canon



ENVIRONMENTAL AND SOCIAL RESPONSIBILITY

The Irys mega has been designed to be assembled without glue for easier recycling.
The optical system's high level of performance allows to limit electricity consumption and CO2 emissions.



IRYS mini

FLOODLIGHT SPECIFICATIONS

- 1 COB LED
- Orientation on two axes (tilt & rotation)
- Driver integrated into the luminaire
- IP66 vent
- Cable gland
- Pre-wired

OPTICAL UNIT & CONTROL GEAR SPECIFICATIONS

1 LED COB - From 1392 to 2689 lm (see attached Irys mini datasheet for details on power, light intensities and available photometries) ULR (by tilting): 0° = 0% / 5° = 0.1% / 10° = 0.44% / 15° = 0.97% / 20° = 1.6% / 25° = 2.4% / 30° = 3.3% / 35° = 4%. . (ULR: Upward Light Ratio)

Electric class	I and II
Protection index (Optical unit)	IP66
Shock resistance (Optical unit)	IK08

OPTIONS

Possibility of lighting management (control, automatic lowering of intensity etc.)

Surge protector

RGBW

Projector accessories: Cap or Canon

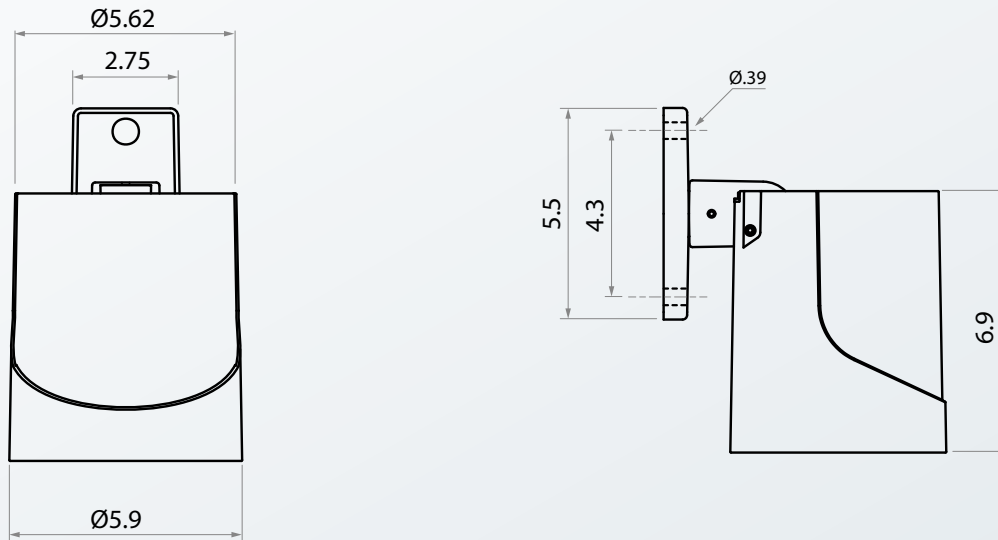


Cap



Canon

Dimensions (in)



IRYS mini

Weight* (lbs) <i>without control gear</i>	7.94
Fixture EPA	0.21
Protection index (Body)	IP66
Shock resistance (Body)	IK10
Materials - Body Protection	Aluminum Tempered glass

ENVIRONMENTAL AND SOCIAL RESPONSIBILITY

The Irys mini has been designed to be assembled without glue for easier recycling.
The optical system's high level of performance allows to limit electricity consumption and CO2 emissions.

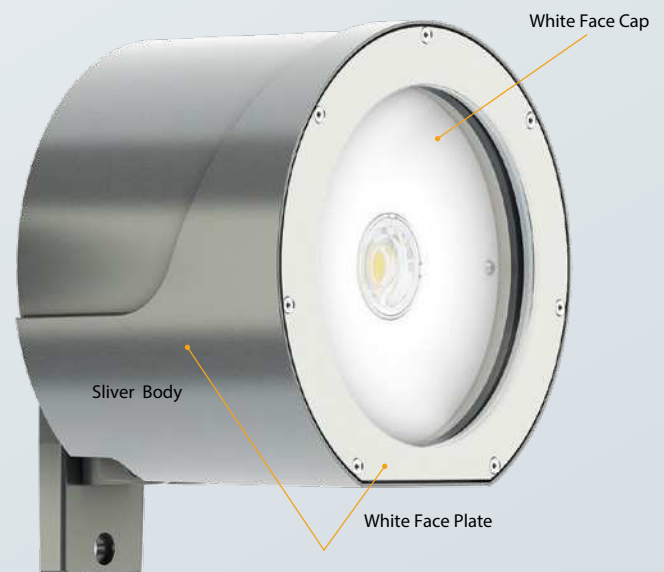
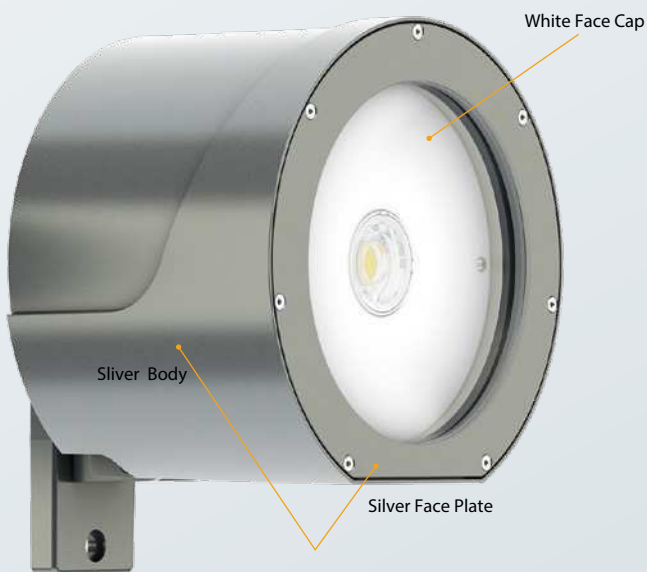
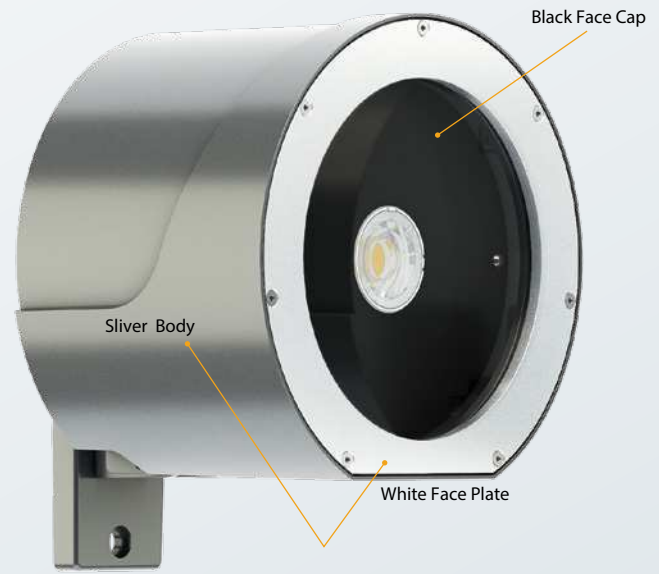
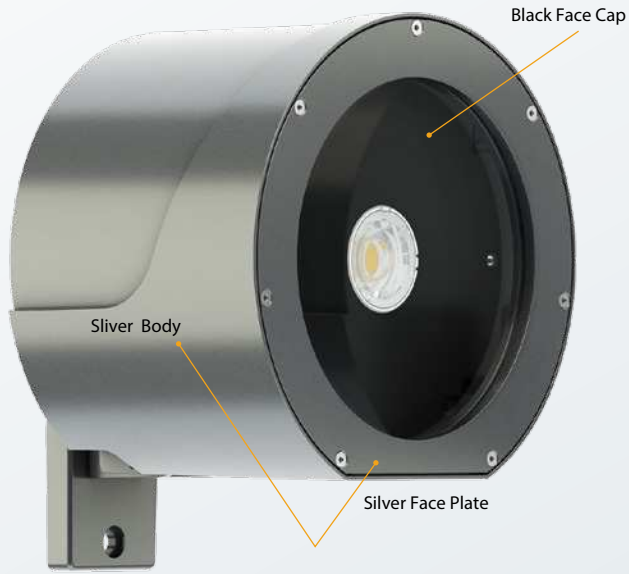
Conformities

IEC/EN 60598-1 / IEC/EN 60598-2-3 / NF EN 60529 / NF EN 62262 / IEC/EN 55015 / IEC/EN 61547 / IEC/EN 61000-3.2 / IEC/EN 61000-3.3 / IEC/EN 62493 / IEC/EN 62031 / IEC/EN 62471 / IEC/EN 61347-1 / IEC/EN 61347-2-13 / NF EN 13201-3 / NF EN 13201-4 / EN 13032-1+A1 & prEn 13032-4 / LM79 / NF EN 12981

01/23/2023: All information subject to change without notice.

PERSONNALISATION

Delivered in Ragni Lighting Silver as standard, the Irys floodlight can be painted in a RAL color of your choice applied to the entire body, or in two different colors between the Body and Face Plate. The Face Cap around the LEDs can be selected in white or black.



Design Proposals

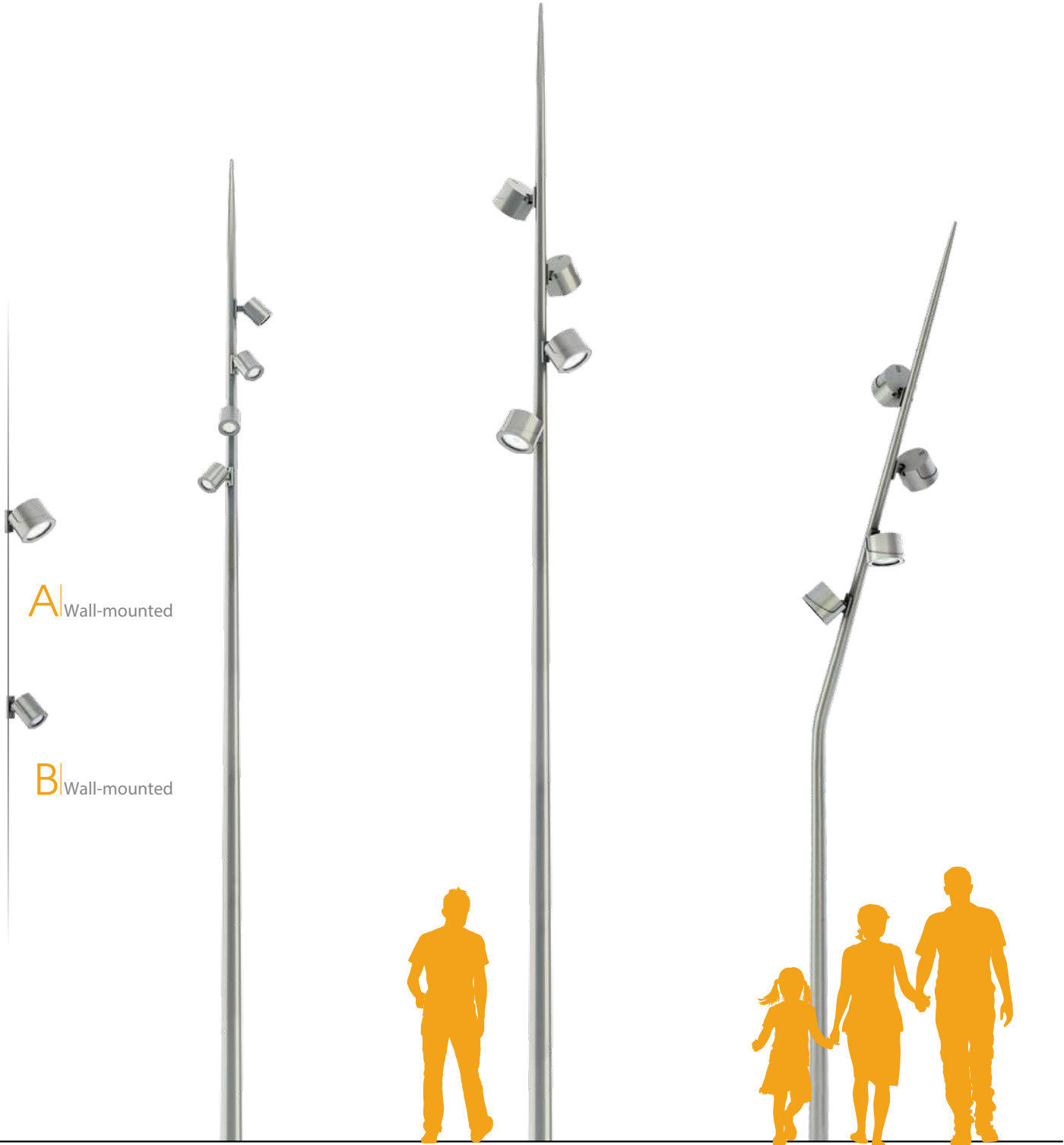
- **Standard color:** White: WH120, Silver: RAL9006, Bronze: BR251, Black: BK303
- **Option:** other colors on request.

26 FT

20 FT

13 FT

7 FT



A Wall-mounted

B Wall-mounted

C IRYS Mini - 20'
Round Tapered
Pole with
DecoSpike 800

D IRYS mega - 23'
Round Tapered
Pole with
DecoSpike 800

E IRYS mega - 16'
CUMBA 500 Pole
with DecoSpike
800

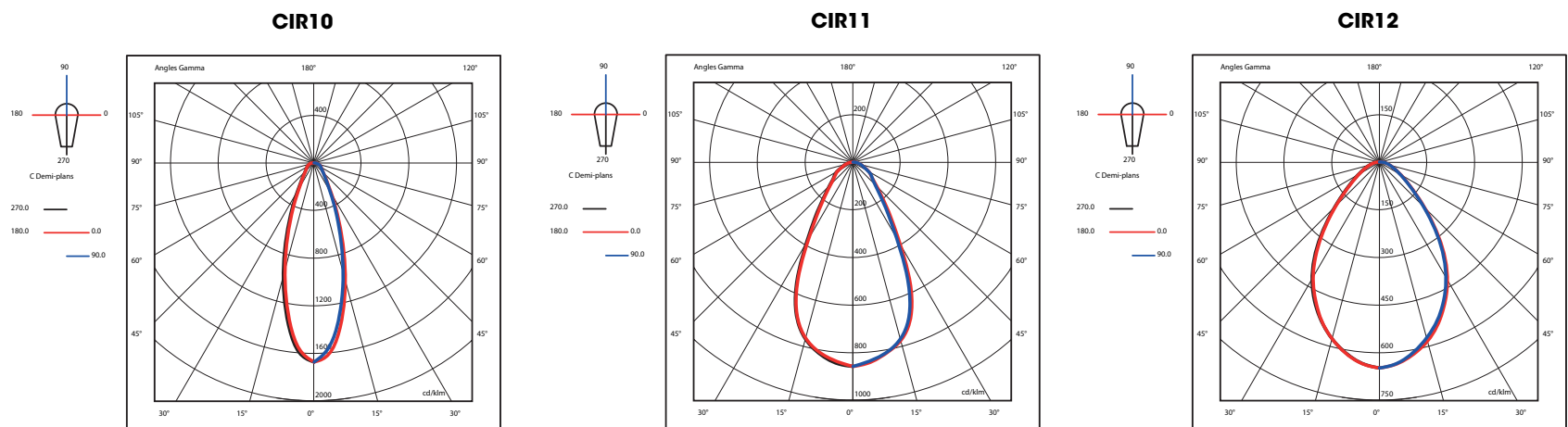
Powers and luminous intensities

LUMINAIRE OUTPUT DATA (T_j @ 85°C)

3000K	350 mA			500 mA			700 mA		
	P _t (W)	Φ (lm)	(lm/W)	P _t (W)	Φ (lm)	(lm/W)	P _t (W)	Φ (lm)	(lm/W)
Number of LED									
1	15	1392	93	20	1907	96	29	2538	88
2	27	2784	104	38	3815	101	54	5075	94
3	40	4175	105	56	5722	103	-----	-----	-----

4000K	350 mA			500 mA			700 mA		
	P _t (W)	Φ (lm)	(lm/W)	P _t (W)	Φ (lm)	(lm/W)	P _t (W)	Φ (lm)	(lm/W)
Number of LED									
1	15	1476	99	20	2022	102	29	2689	93
2	27	2952	110	38	4044	107	54	5379	100
3	40	4428	111	56	6066	109	-----	-----	-----

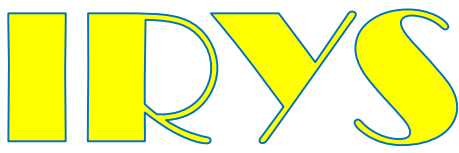
Photometric distributions



Ordering Information

Fixture	Size	#LED	CCT (K)	Drive Current	Distribution	Line Voltage	Body Color	Face Plate Color	Face Color	Accessories
IRY	L- (Mega)	1	3 – (3000)	35 – (350)	10- (CIR10)	1–(120-277V)	BLK–(Black)	BLK–(Black)	BLK–(Black)	CAM – (CAMERA**)
	S- (Mini*)	2	4 – (4000)	50 – (500)	11- (CIR11)	3–(347-480V)	BRZ–(Bronze)	BRZ–(Bronze)	WHT–(White)	LOU – (LOUDSPEAKER**)
				70 – (700)	12- (CIR12)		SLV–(Silver)	SLV–(Silver)		CAP– (CAP)
				C - (Custom)			WHT–(White)	WHT–(White)		CAN– (CANON)
						(RAL #)	(RAL #)		RGBW**	

*IRYS Mini available with only one LED **Accessories only available with IRSY Mega



Date: _____

Project Name: _____

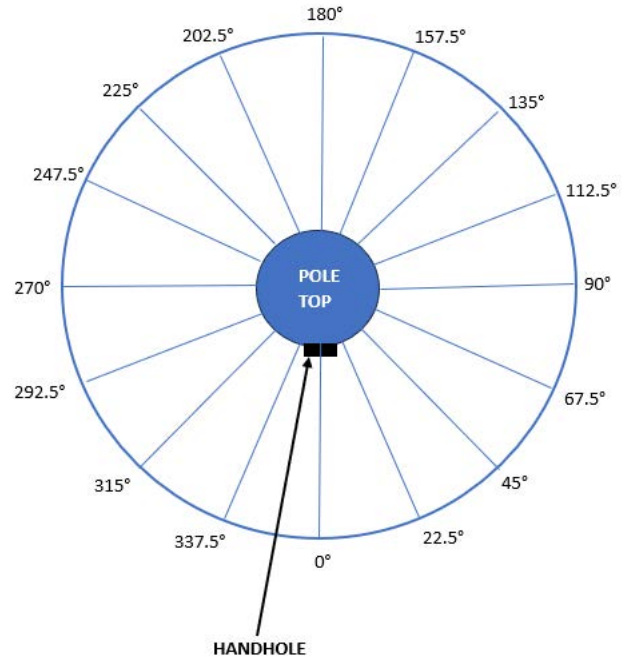
Agent Name: _____

Agent Phone: _____



Configuration Instructions:

- Identify the overall height of the pole
- Determine the number of luminaires
- Determine the mounting height (Above Finished Grade) of each luminaire.
- Determine the orientation of installation from the handhole for each luminaire utilizing the diagram below...



Pole Height:	ft.	in.							
Fixture:	IRYS 1	IRYS 2	IRYS 3	IRYS 4	IRYS 5	IRYS 6	IRYS 7		
Mounting Height of each Irys on pole:									
Orientation of Installation from handhole:									