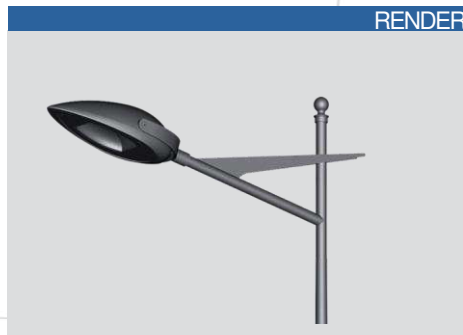
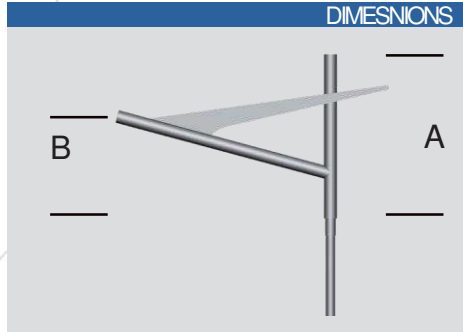


STANDARD

- Decorative arm in galvanized steel.
- Standard Black RAL 9005
- 10° tilt above lateral.
- Available in 1 or 2 light configurations.
- Luminaire attachment options:
 - Lateral (Ø60)
 - Suspended (PG34 female).
- Attached on the top of the pole (Ø60, Ø75 or Ø89).
- Decorative accessories available.
- Surface treatment : thermo-lacquer at 220° (Available in RAL colors).



Model	A (cm)	B (cm)
ZIPATIS 75	65	40
ZIPATIS 100	80	50
ZIPATIS 150	80	60

