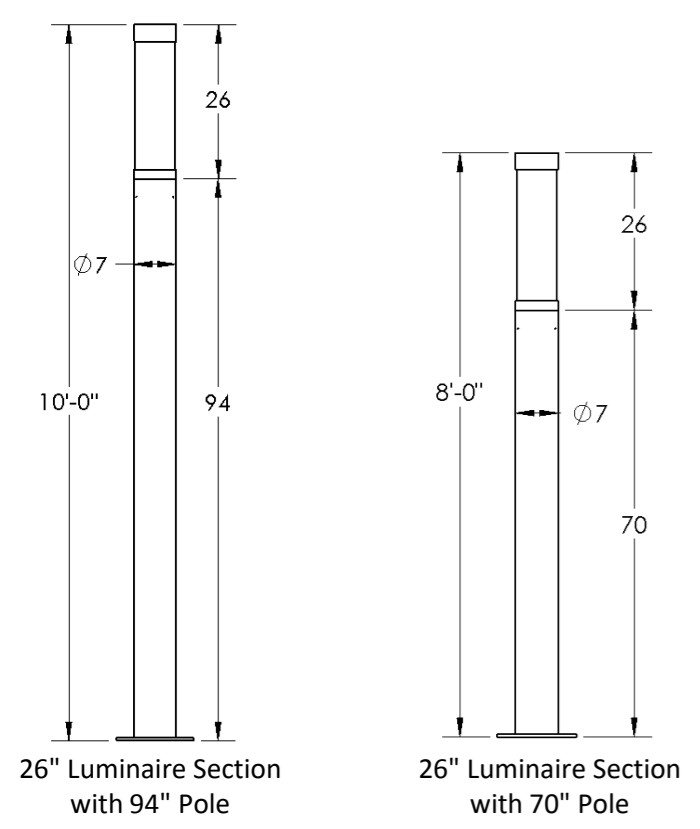


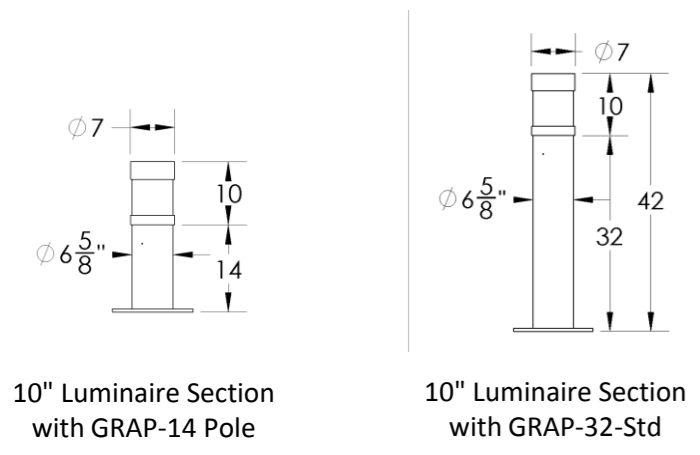




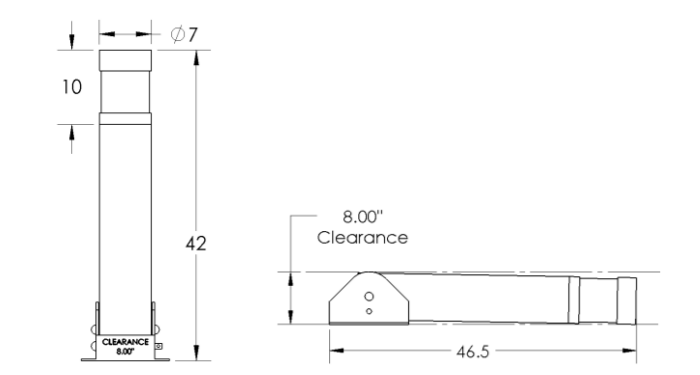
dimensions (in/ft)



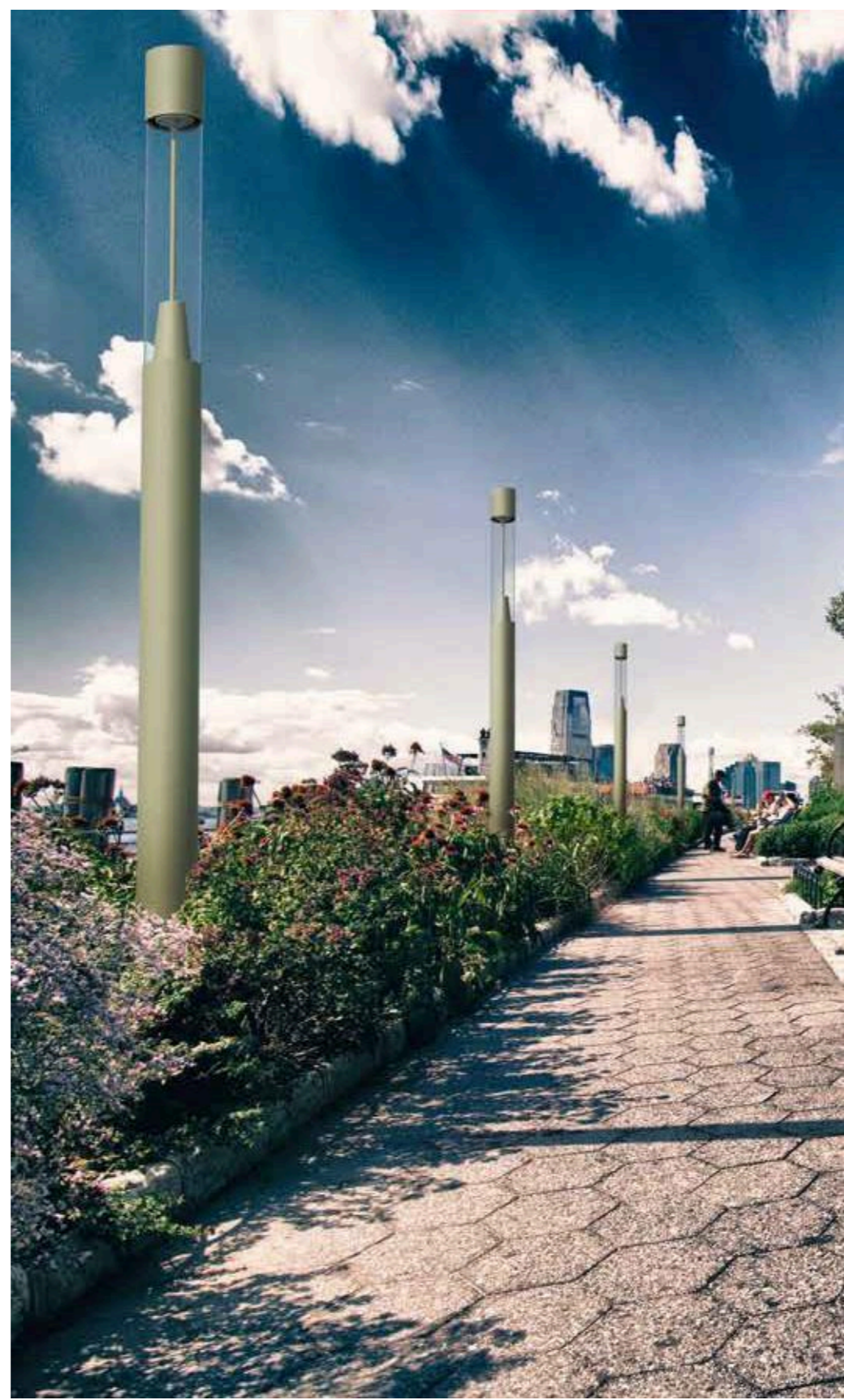
26" Luminaire Section with 94" Pole  
26" Luminaire Section with 70" Pole



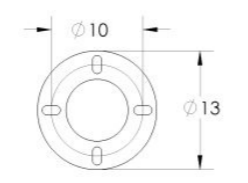
10" Luminaire Section with GRAP-14 Pole  
10" Luminaire Section with GRAP-32-Std



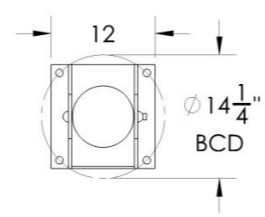
OPTIONAL: Bollard with Hinged Base



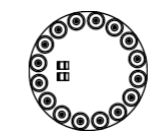
TIG-10 Base Plate



TIG-10 with TIG-32-Hinge



acuisens module



The AcuiSens module is a compact LED module composed of 16 LEDs. It is available in a circular distribution pattern and an asymmetrical distribution. It owes its name on the one hand to the visual clarity it provides and, on the other hand, to the feeling of softness conveyed by its ambient lighting. AcuiSens is thermally self-managed thanks to a built-in diaphragm (SYNJET® technology).



AcuiSens circular symmetrical



AcuiSens asymmetrical

POWER AND LUMINOUS INTENSITY - luminaire output data

Number	350 mA			500 mA			700 mA			800 mA		
	P <sub>t</sub> (W)	Φ (lm)	(lm/W)	P <sub>t</sub> (W)	Φ (lm)	(lm/W)	P <sub>t</sub> (W)	Φ (lm)	(lm/W)	P <sub>t</sub> (W)	Φ (lm)	(lm/W)
16	21	2200	104.8	30	2900	96.7	40	3850	96.3	47	4150	88.3

P<sub>t</sub> (W) = Total power consumption including driver consumption • Φ Nominal flux (lm) • Luminous efficiency (lm/W)

ORDERING INFORMATION

Fixture	Head Size	# LED	CCT	Drive Current	Distribution	Line Voltage	Color
TIG	10"	16	3 - (3000K)	35- (350 mA)	T4	120 - (120 V)	BLK - (Black)
	26"			50 - (500 mA)			BRZ - (Bronze)
	C-CUSTOM		70 - (700 mA)	SLV - (Silver)			
			Custom	WHT - (White)			
						RAL #	

ORDERING INFORMATION - POLE SECTION

POLE TYPE	POLE O.D.	POLE HEIGHT	POLE STYLE	COLOR
TIGP	7.0"	14"	S-STANDARD COLUMN	BLK-Black
GRAP	6.625"	32"	EM-EMBEDDED	BRZ-Bronze
		70"	R-REMOVABLE	SLV-Silver
CUSTOM	94"	H-HINGED BASE	WHT-White	
			RAL	

of LEDs

**Luminaire Head Diameter is 7"**  
**Pole sizes include:**  
 \* TIGP - 7" Diameter pole (Smooth transition)  
 \* GRAP - 6-5/8" Diameter pole (Stepped Transition)



# TIGEA LED

