



TIGEA LED

light markings product range - bollards



technical characteristics (Customer requested sizes available with no upcharge)

	Tigea 3500	Tigea 4000	Tigea 4500	Tigea 5000
Height (ft)	11.5	13.1	14.8	16.4
Weight (lbs)	63.9	71.7	79.8	88.0
Protection index				
Optical unit			IP 65	
Electrical compartment			IP 54	
Shock resistance			IK 10	
Materials:				
Body			Aluminum	
Protector			Frosted PC with Anti-UV Treatment	

electrical characteristics

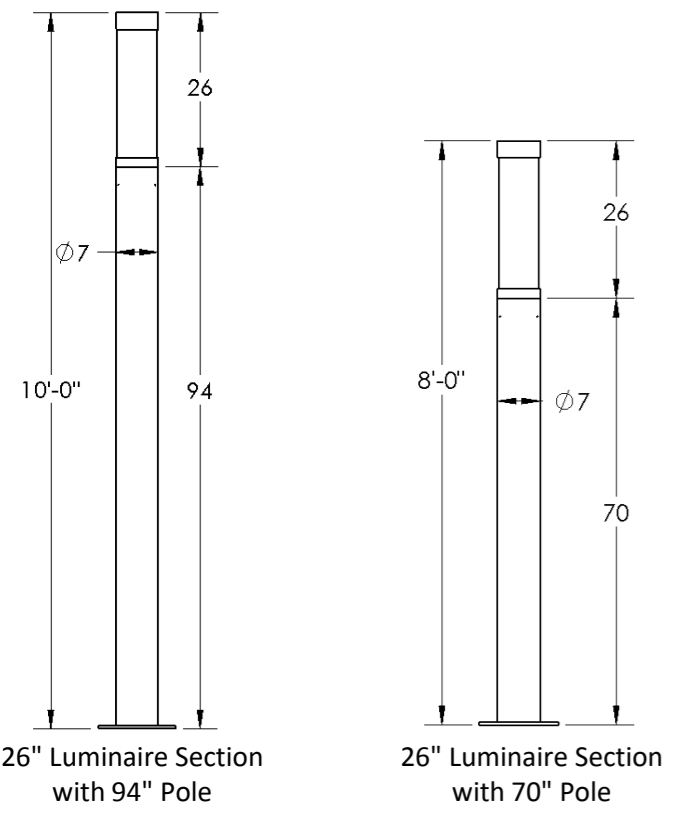
- Power current up to 800 mA
- Electrical class: II
- Incorporated driver
- Varistor (protection against high voltages)
- Optional lighting management systems: automatic time-related lowering of intensity with up to 5 levels, presence detection, constant flux, graduation by means of voltage variation, command 1-10V, communication DALI or PWM.

lighting distributions

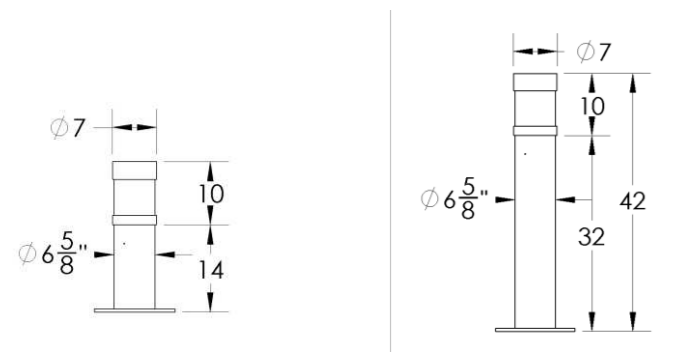
- Type IV
- Type V



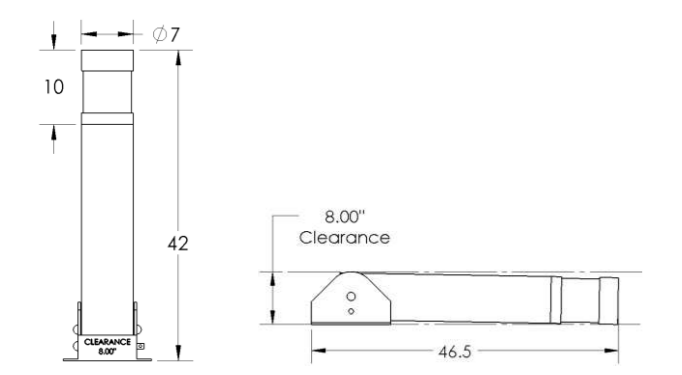
dimensions (in/ft)



26" Luminaire Section with 94" Pole
26" Luminaire Section with 70" Pole



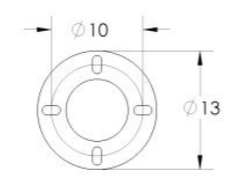
10" Luminaire Section with GRAP-14 Pole
10" Luminaire Section with GRAP-32-Std



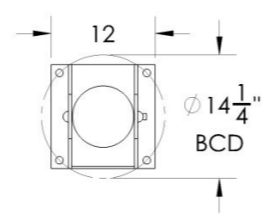
OPTIONAL: Bollard with Hinged Base



TIG-10 Base Plate



TIG-10 with TIG-32-Hinge



POWER AND LUMINOUS INTENSITY - luminaire output data

3000K Number of LEDs	350 mA			500 mA			700 mA		
	P _t (W)	Φ (lm)	(lm/W)	P _t (W)	Φ (lm)	(lm/W)	P _t (W)	Φ (lm)	(lm/W)
8	18.5	2345	125	26.5	3320	124	38.5	4480	116

4000K Number of LEDs	350 mA			500 mA			700 mA		
	P _t (W)	Φ (lm)	(lm/W)	P _t (W)	Φ (lm)	(lm/W)	P _t (W)	Φ (lm)	(lm/W)
8	18.5	2460	132	26.5	3485	131	38.5	4706	122

P_t (W) = Total power consumption including driver consumption • Φ Nominal flux (lm) • Luminous efficiency (lm/W)

ORDERING INFORMATION

Fixture	Head Size	Module	CCT	Drive Current	Distribution	Line Voltage	Color
TIG	10"	AS2	3 - (3000K)	35- (350 mA)	T4	120 - (120 V)	BLK - (Black)
	26"		4 - (4000K)	50 - (500 mA)	T5	UNV	BRZ - (Bronze)
	C-CUSTOM			70 - (700 mA)			SLV - (Silver)
				Custom			
							RAL #

ORDERING INFORMATION - POLE SECTION

POLE TYPE	POLE O.D.	POLE HEIGHT	POLE STYLE	COLOR
TIGP	7.0"	14"	S-STANDARD COLUMN	BLK-Black
GRAP	6.625"	32"	EM-EMBEDDED	BRZ-Bronze
	CUSTOM	70"	R-REMOVABLE	SLV-Silver
		94"	H-HINGED BASE	WHT-White
		CUSTOM		RAL

Luminaire Head Diameter is 7"
Pole sizes include:
 * TIGP - 7" Diameter pole (Smooth transition)
 * GRAP - 6-5/8" Diameter pole (Stepped Transition)

