



# TIGEA LED

light markings product range - bollards



## technical characteristics (Customer requested sizes available with no upcharge)

	Tigea 3500	Tigea 4000	Tigea 4500	Tigea 5000
<b>Height (ft)</b>	11.5	13.1	14.8	16.4
<b>Weight (lbs)</b>	63.9	71.7	79.8	88.0
<b>Protection index</b>				
Optical unit			IP 65	
Electrical compartment			IP 54	
<b>Shock resistance</b>			IK 10	
<b>Materials:</b>				
Body			Aluminium	
Protector			Transparent PC with anti-UV treatment	

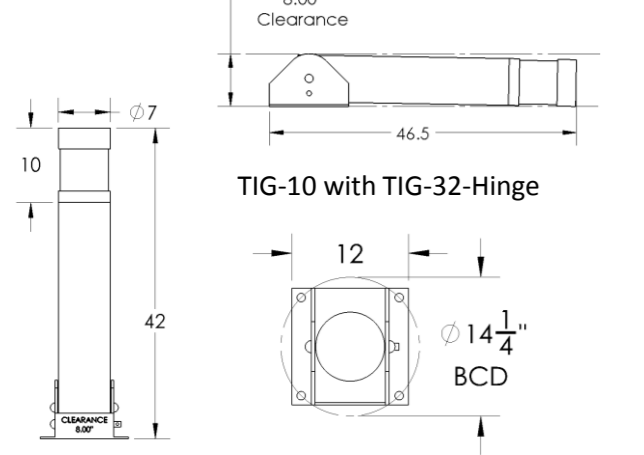
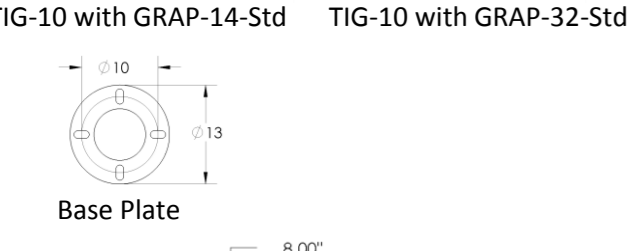
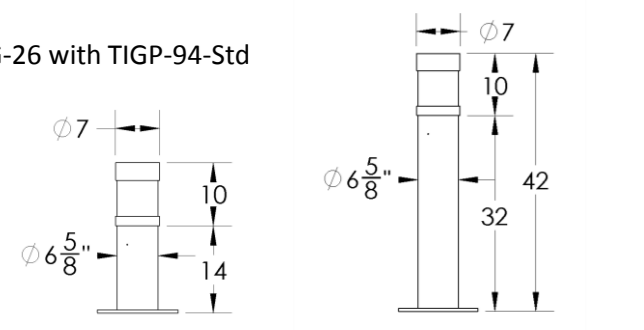
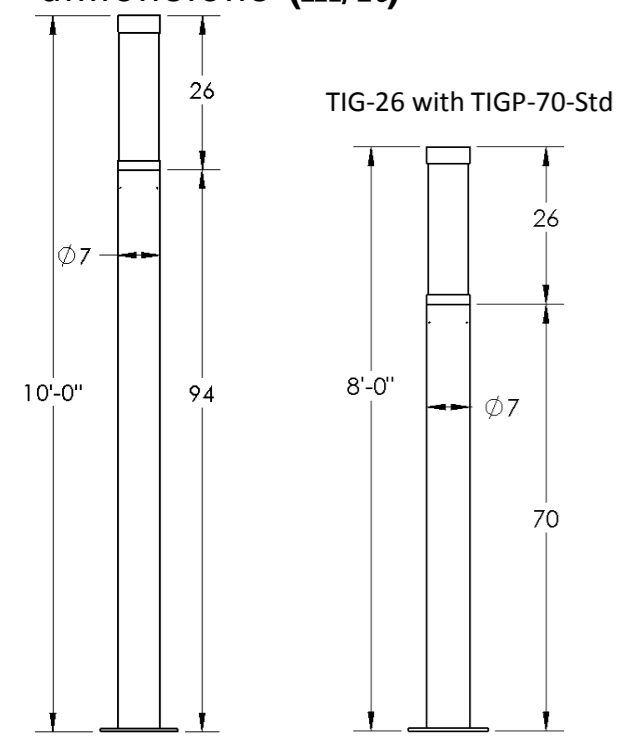
## electrical characteristics

- Power current up to 800 mA
- Electrical class: II
- Incorporated driver
- Varistor (protection against high voltages)
- Optional lighting management systems: automatic time-related lowering of intensity with up to 5 levels, presence detection, constant flux, graduation by means of voltage variation, command 1-10V, communication DALI or PWM.

## lighting distributions

- Type II
- Type V

dimensions (in/ft)



acuisens module



The AcuiSens module is a compact LED module composed of 16 LEDs. It is available in a circular distribution pattern and an asymmetrical distribution. It owes its name on the one hand to the visual clarity it provides and, on the other hand, to the feeling of softness conveyed by its ambient lighting. AcuiSens is thermally self-managed thanks to a built-in diaphragm (SYNJET® technology).



AcuiSens circular symmetrical



AcuiSens asymmetrical

power and luminous intensities - luminaire output data

Number of LEDs	350 mA			500 mA			700 mA			800 mA		
	P <sub>t</sub> (W)	Φ (lm)	(lm/W)	P <sub>t</sub> (W)	Φ (lm)	(lm/W)	P <sub>t</sub> (W)	Φ (lm)	(lm/W)	P <sub>t</sub> (W)	Φ (lm)	(lm/W)
16	21	2200	104.8	30	2900	96.7	40	3850	96.3	47	4150	88.3

P<sub>t</sub> (W) = Total power consumption including driver consumption • Φ Nominal flux (lm) • Luminous efficiency (lm/W)

ordering information

Fixture	Head Size	Module	CCT (1000K)	Current	Distribution	Line Voltage	Color
TIG	10	AS16	3	350 mA	T2	UNV	Black
	10"						Bronze
	26"						Silver
	Custom						White
				700 mA		347-480	RAL #

Pole Size	Height	Mounting	Color
TIGP	32	Hinge	
TIGP	7"	Standard	Black
GRAP	6.625"	Hinge (8" Clearance)	Bronze
	70"	Burial	Silver
	94"	Remove	White
		Heavy Duty	RAL #



TIGEA LED

