



TEKK

STREET LIGHTING

TECHNICAL CHARACTERISTICS

	TEKK S	TEKK M
Weight (lbs) <i>Without control gear</i>	13.2	20.9
EPA (ft²)	0.43	0.65
Protection index	IP66	IP66
Shock resistance	IK 08 (IPK10 on request)	IK 08 (IPK10 on request)
Materials:		
Luminaire		Injected cast aluminium
Protection		Tempered glass

Operating temperature: -25°C to +35°C (up to +50° subject to condition)

ELECTRICAL CHARACTERISTICS

- Power current up to 1050 mA
- Electrical class: II (class I on request)
- Nominal voltage: 120-277V and 347-480V 50/60Hz
- Surge protector and over/under voltage protection (optional).
- Driver integrated into the luminaire
- Optional lighting management systems

LIGHTING DISTRIBUTIONS

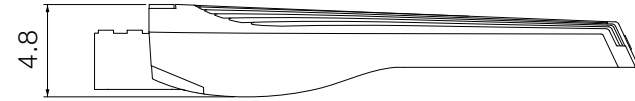
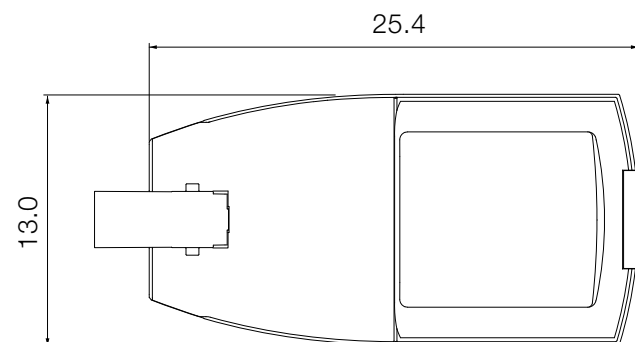
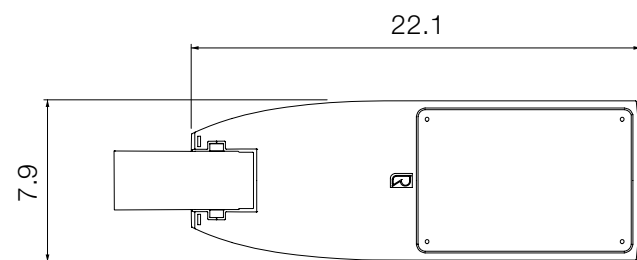
- Type I
- Type II
- Type III
- Type IV
- Type V



DIMENSIONS (In)

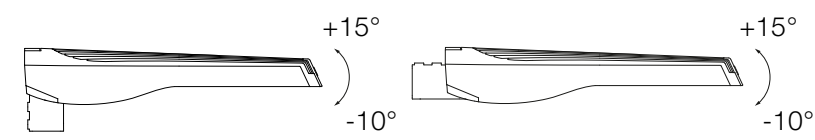
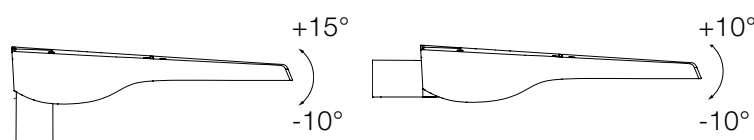
TEKK S

TEKK M



Tilt

Tilt



POWER AND LUMINOUS INTENSITIES - LUMINAIRE OUTPUT DATA

		3000 K			350 mA			500 mA			700 mA			1050 mA		
		Number of LED			P _i (W)	Φ (lm)	(lm/W)	P _i (W)	Φ (lm)	(lm/W)	P _i (W)	Φ (lm)	(lm/W)	P _i (W)	Φ (lm)	(lm/W)
TEKK	TEKK M	16	21.4	1988	93	28.2	2867	102	36	3636	101	54.6	4895	90		
		32	34.4	3976	116	48.8	5734	118	68.9	7271	106	106.2*	9789*	92*		
		48	51	5964	117	72.6	8601	118	102.3	10907	107	157.2	14684	93		
		64	67.1	7952	119	95.6	11468	120	135.2	14542	108	206.7	19578	95		
		Number of LED			P _i (W)	Φ (lm)	(lm/W)	P _i (W)	Φ (lm)	(lm/W)	P _i (W)	Φ (lm)	(lm/W)	P _i (W)	Φ (lm)	(lm/W)
TEKK	TEKK M	16	21.4	2147	100	28.2	3097	110	36	3932	109	54.6	5301	97		
		32	34.4	4294	125	48.8	6193	127	68.9	7863	114	106.2*	10602*	100*		
		48	51	6441	126	72.6	9290	128	102.3	11795	115	157.2	15903	101		
		64	67.1	8588	128	95.6	12387	130	135.2	15726	116	206.7	21204	103		

P_t (W) = Total power consumption including driver consumption • Φ Nominal flux (lm) • Luminous efficiency (lm/W)

ORDERING INFORMATION

Model	Size	# LED	Drive Current	CCT	Distribution	Line Voltage	Mounting	Color	Heat Sink Cover
TEKK	S	16	35 - (350 mA)	3 - (3000K)	T1	1-(120-277)	TP/LT - (Top/Lateral)	BLK - (Black)	HSC
	M	32	50 - (500 mA)	4 - (4000K)	T2	3-(347-480)		BRZ - (Bronze)	
		48*	70 - (700 mA)		T3			SLV - (Silver)	
		64*	105 - (1050 mA)		T4			WHT - (White)	
					T5		(RAL #)		

*Available in TEKK M Only

Note: Heat Sink Cover only available for Tekk S

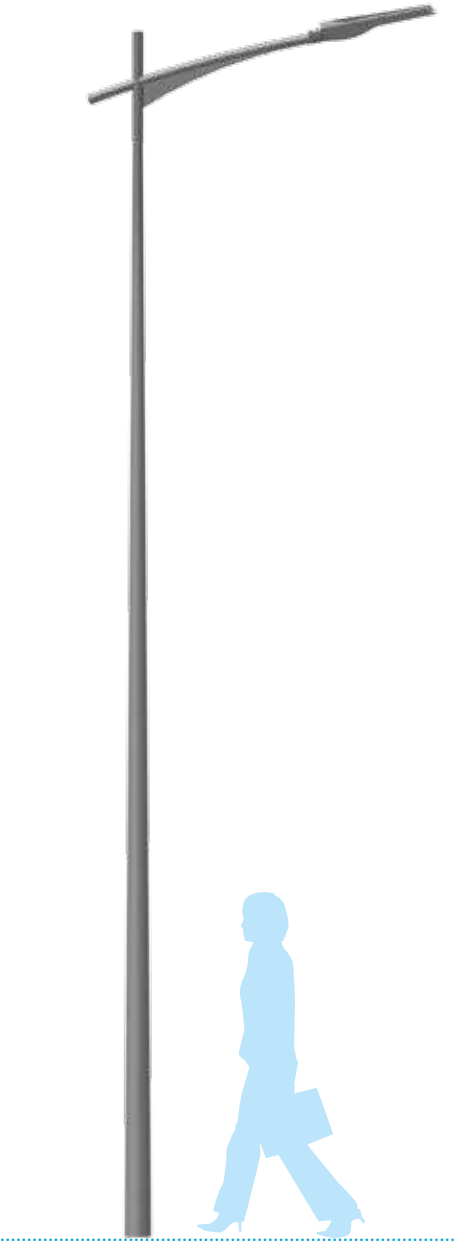


POLE, ARM & LUMINAIRE **COMBINATIONS**



TEKK

A - St LOUIS wall mounted



D - NEPTIS - cc 600



E - STERIA - cc 700



B - cc 700



F - PARME - cc 500



TEKK

