



TALIS

LIGHT MARKINGS PRODUCT RANGE - **BOLLARDS**

TECHNICAL CHARACTERISTICS

Version	S1	M1	M2	L1	L2	L3
Number of LED modules	1	1	2	1	2	3
Height (ft)	11.8	15.7	15.7	19.7	19.7	19.7
Weight (lbs)	101.4	130.1	127.9	158.7	156.5	154.3
Protection index	IP 65					
Shock resistance	IK 10					
Materials:						
Body	Extruded aluminium					
Protector	Transparent PC with anti-UV treatment					

ELECTRICAL CHARACTERISTICS

- Power current up to 800 mA
- Electrical class: II
- Incorporated driver
- Varistor (protection against high voltages)
- Optional lighting management systems: automatic time-related lowering of intensity with up to 5 levels, presence detection, constant flux, graduation by means of voltage variation, command 1-10V, communication DALI or PWM.

LIGHTING DISTRIBUTIONS

Type II

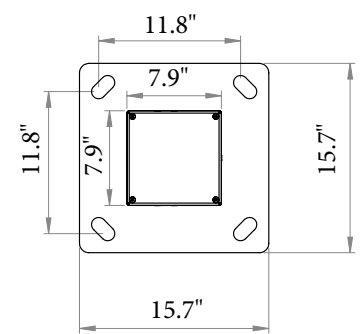
All information is subject to change without notice

www.ragni-lighting.com

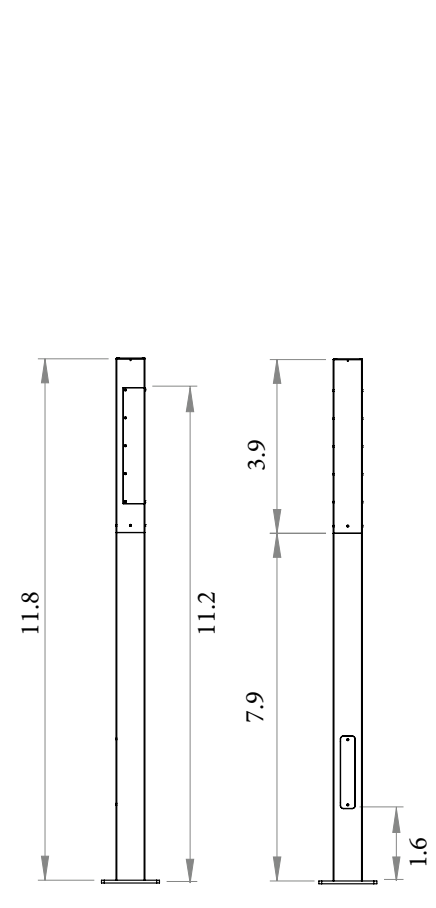
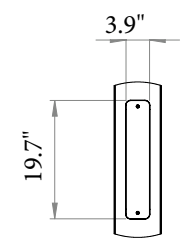


DIMENSIONS (in/ft)

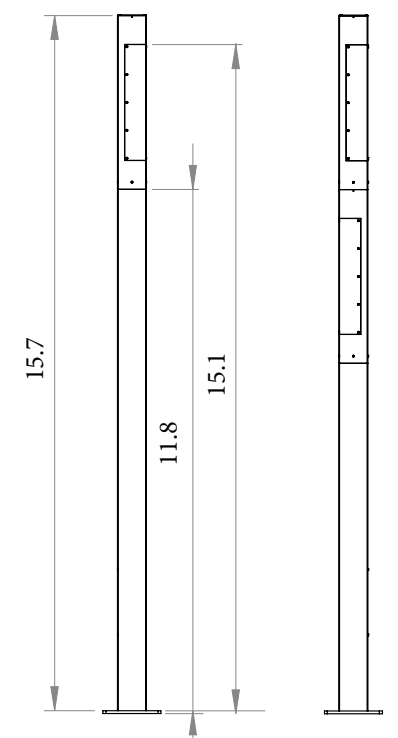
SEEN FROM ABOVE



DOOR

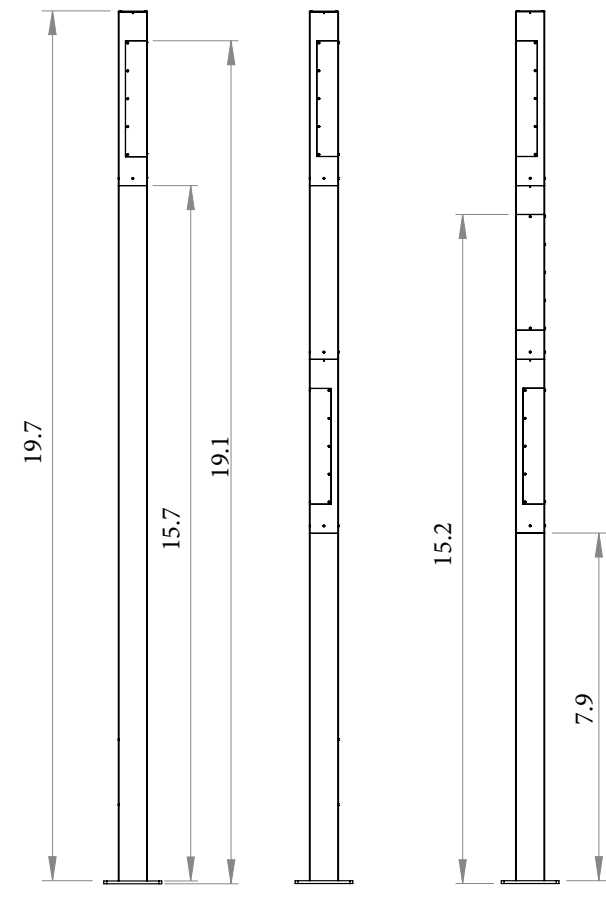


TALIS S1



TALIS M1

TALIS M2



TALIS L1

TALIS L2

TALIS L3



AcuiSens asymmetrical

ACUISENS MODULE



The AcuiSens module is a compact LED module composed of 16 LEDs. Talis uses the asymmetrical distribution version. It owes its name on the one hand to the visual clarity it provides and, on the other hand, to the feeling of softness conveyed by its ambience lighting. AcuiSens is thermally self-managed thanks to a built-in diaphragm (SYNJET® technology).

POWER AND LUMINOUS INTENSITIES - LUMINAIRE OUTPUT DATA

Number of LEDs	350 mA			500 mA			700 mA			800 mA		
	P _t (W)	Φ (lm)	(lm/W)	P _t (W)	Φ (lm)	(lm/W)	P _t (W)	Φ (lm)	(lm/W)	P _t (W)	Φ (lm)	(lm/W)
16	21	2200	104.8	30	2900	96.7	40	3850	96.3	47	4150	88.3

P_t (W) = Total power consumption including driver consumption • Φ Nominal flux (lm) • Luminous efficiency (lm/W)

ORDERING INFORMATION

Fixture	Size	No. of Heads	Lens	Window 2 Direction*	Window 3 Direction*	Module	Color Temp	Drive Current	Dist	Line Voltage	Color
TALIS						1AS16			T2		
	S	1	CL - (Clear)	X (BLANK OR N/A)	X (BLANK OR N/A)		3 (3000 K)	35 (350 mA)		120 V	Black
	M	2	FR - (Frosted)	0 (0°)	0 (0°)		4 (4000 K)	50 (500 mA)		220 V	Bronze
	L	3		1 (90°)	1 (90°)			70 (700 mA)		277 V	Silver
				2 (180°)	2 (180°)			90 (900 mA)		347 V	White
				3 (270°)	3 (270°)					480 V	RAL #
										UNV	



RANGE



TALIS



Talis S1



Talis M1



Talis M2



Talis L1



Talis L2



Talis L3

