



# TALIS

BOLLARDS RANGE

## TECHNICAL CHARACTERISTICS

Version	S1	M1	M2	L1	L2	L3
<b>Number of LED modules</b>	1	1	2	1	2	3
<b>Height (ft)</b>	11.8	15.7	15.7	19.7	19.7	19.7
<b>Weight (lbs)</b>	101.4	130.1	127.9	158.7	156.5	154.3
<b>Protection index</b>	IP 65					
<b>Shock resistance</b>	IK 10					
<b>Materials:</b>						
Body	Extruded aluminium					
Protector	Transparent PC with anti-UV treatment					

## ELECTRICAL CHARACTERISTICS

- Power current up to 700 mA
- Electrical class: II
- Incorporated driver
- Varistor (protection against high voltages)
- Optional lighting management systems: automatic time-related lowering of intensity with up to 5 levels, presence detection, constant flux, graduation by means of voltage variation, command 1-10V, communication DALI or PWM.

## LIGHTING DISTRIBUTIONS

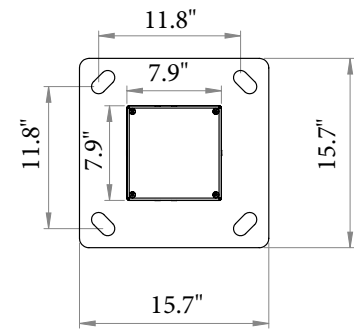
- Type II
- Type III
- Type IV
- \*Type V

All information is subject to change without notice: Last Updated 11/23/2020

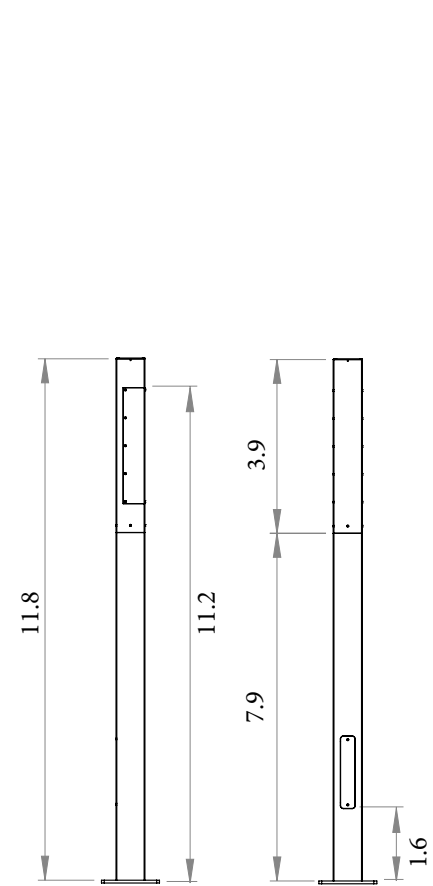
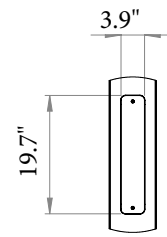
www.ragni-lighting.com

## DIMENSIONS (in/ft)

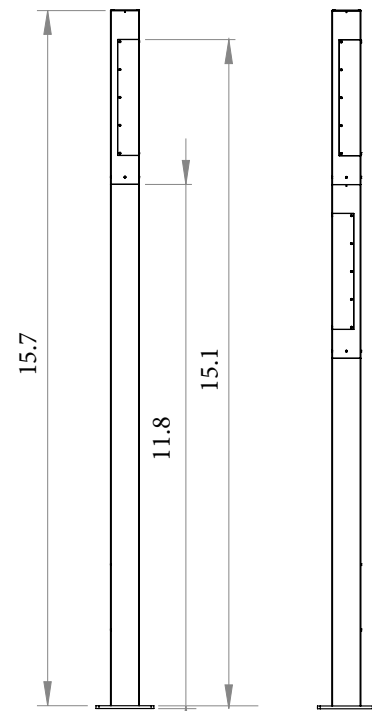
SEEN FROM ABOVE



DOOR

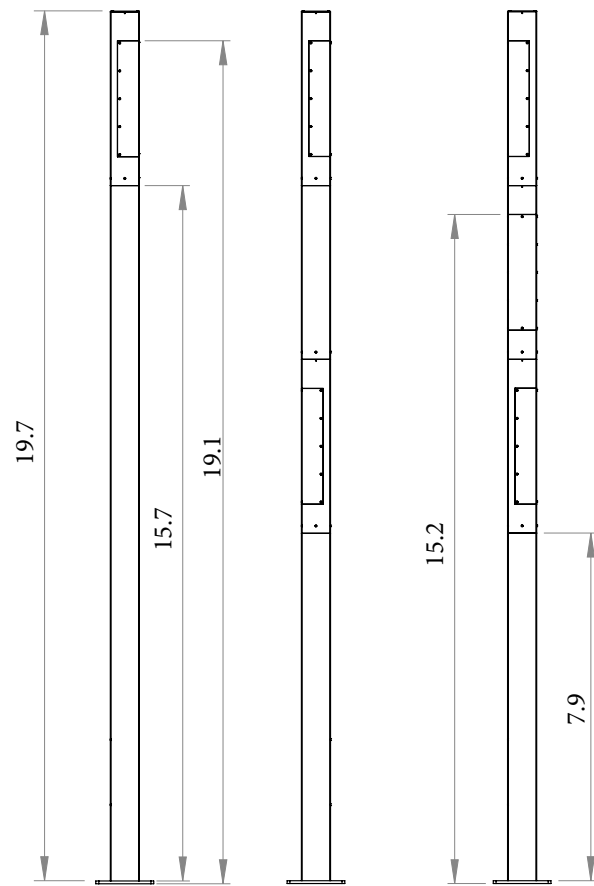


TALIS S1



TALIS M1

TALIS M2



TALIS L1

TALIS L2

TALIS L3

## POWER AND LUMINOUS INTENSITIES - LUMINAIRE OUTPUT DATA

### 3000K

Number of LEDs	350 mA			500 mA			700 mA		
	P <sub>t</sub> (W)	Φ (lm)	(lm/W)	P <sub>t</sub> (W)	Φ (lm)	(lm/W)	P <sub>t</sub> (W)	Φ (lm)	(lm/W)
8	18.5	2345	125	26.5	3320	124	28.5	4480	116

### 4000K

Number of LEDs	350 mA			500 mA			700 mA		
	P <sub>t</sub> (W)	Φ (lm)	(lm/W)	P <sub>t</sub> (W)	Φ (lm)	(lm/W)	P <sub>t</sub> (W)	Φ (lm)	(lm/W)
8	18.5	2460	132	26.5	3485	131	38.5	4706	122

P<sub>t</sub> (W) = Total power consumption including driver consumption • Φ Nominal flux (lm) • Luminous efficiency (lm/W)

## ORDERING INFORMATION

Fixture	Window	Lens	Module	Temp Color	Drive Current	Distribution	Line Voltage	Color
TALIS	None	CL - (Clear)	AS2	3-(3000 K)	35 (350 mA)	T1	120 V	BLK-(Black)
	180 deg	FR - (Frosted)		4-(4000 K)	50 (500 mA)	T2	220 V	BRZ-(Bronze)
	360 deg				70 (700 mA)	T3	277 V	SLV-(Silver)
						T4	347 V	WHT-(White)
						T5*	480 V	RAL #
							UNV	

\* T5 available with window at 360 deg

Pole	Base Height	# of Fixtures
TAL-Pole	8ft	L1-(One)
	Custom	L2-(Two)
		L3-(Three)



RANGE



TALIS



Talis S1



Talis M1



Talis M2



Talis L1



Talis L2



Talis L3

