

SWING

The art of bend

DESIGN Sylvain GADEL



L'ITEC
lumière

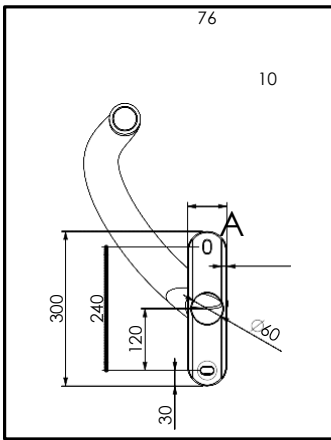


Technical characteristics

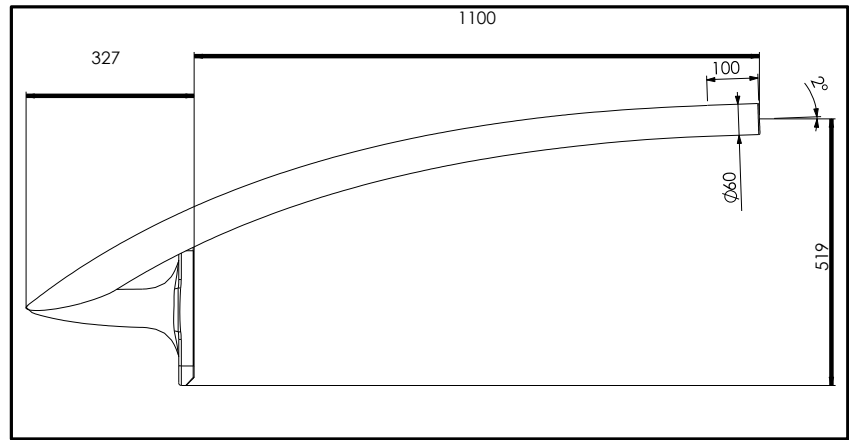
Dimensions (mm)



Front view



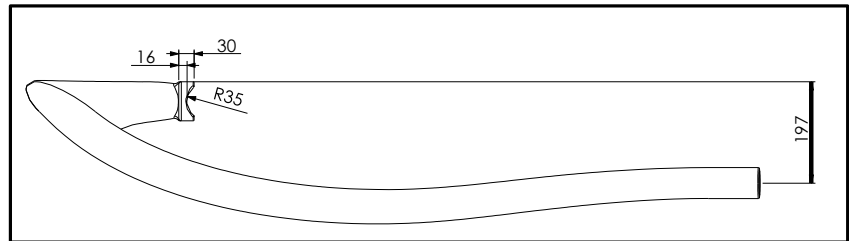
Side view



Material :
Aluminum
sand casting (EN
1706 AC-42000S)

Weight : 8,8Kg

Top view



Suggestions for ensembles



SWING

Available only in the against pole mounting version.
Possibility to create original sets with one or several brackets.



www.Ragni-lighting.com

14175 E. 42nd Avenue
Suite 60
Denver, CO 80239
Tél. : (720) 370 0400
info@ragni-lighting.com

