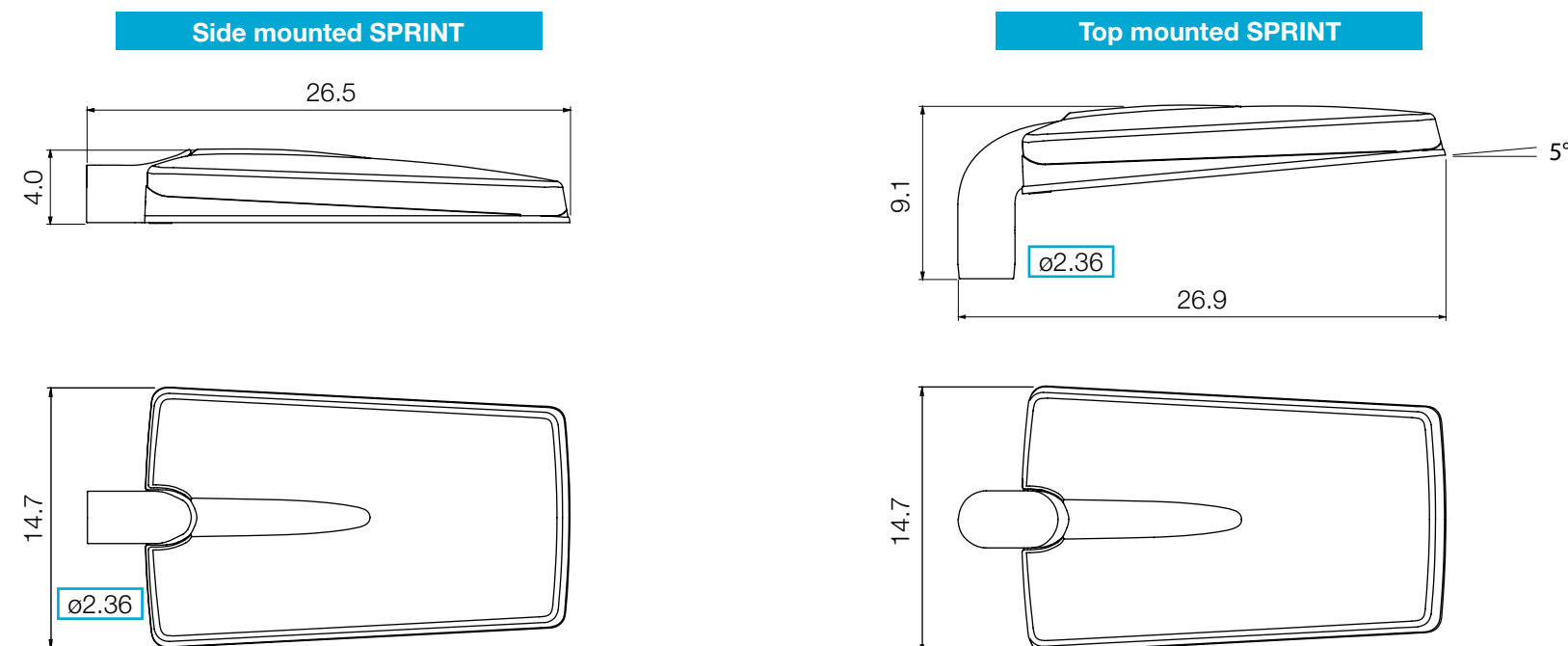
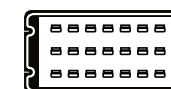




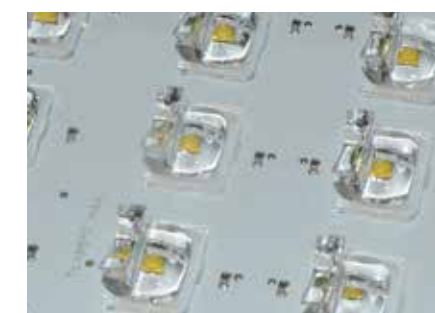
DIMENSIONS (In)



PHOTOLENS MODULE



The PhotoLens LED module has been developed to make the creation of luminaires such as the Sprint possible: slender luminaires dedicated to LED, proposing powerful and precise lighting for main roads.



- LED manufacturer: CREE
- LED life cycle: up to 95,000 hours
i.e.: 50,000 hours at 70% @ 700 mA
- Color temperatures: 3000K or 4000K (other color temperatures on request)
- Development by VS optoelectronic (PANASONIC group)
- CRI above 75
- Possibility of dimming

POWER AND LUMINOUS INTENSITIES - LUMINAIRE OUTPUT DATA

3000 K		350 mA			500 mA			700 mA		
Number of PhotoLens	Number of LEDs	P _t (W)	Φ (lm)	(lm/W)	P _t (W)	Φ (lm)	(lm/W)	P _t (W)	Φ (lm)	(lm/W)
1	21	22.5	2299	102	32.7	3133	96	46.4	4112	89
2	42	44.9	4598	102	65.3	6266	96	92.8	8223	89
3	63	67.4	6897	102	98.0	9400	96	139.1	12335	89

4000 K		350 mA			500 mA			700 mA		
Number of PhotoLens	Number of LEDs	P _t (W)	Φ (lm)	(lm/W)	P _t (W)	Φ (lm)	(lm/W)	P _t (W)	Φ (lm)	(lm/W)
1	21	22.5	2419	108	32.7	3266	100	46.4	4326	93
2	42	44.9	4839	108	65.3	6531	100	92.8	8653	93
3	63	67.4	7258	108	98.0	9797	100	139.1	12979	93

P_t (W) = Total power consumption including driver consumption • Φ Nominal flux (lm) • Luminous efficiency (lm/W)

ORDERING INFORMATION

Fixture	# LED	CCT	Drive Current	Distribution	Line Voltage	Mounting	Color
SPRINT	21	3 - (3000K)	35 - (350mA)	T2	120 V	TP - (Top Mount)	BLK - (Black)
	42	4 - (4000K)	50 - (500mA)		220 V	L - (Lateral)	BRZ - (Bronze)
	63		70 - (700mA)		277 V		SLV - (Silver)
					347 V		WHT - (White)
					480 V		RAL #
					UNV		





POLE, ARM & LUMINAIRE COMBINATIONS



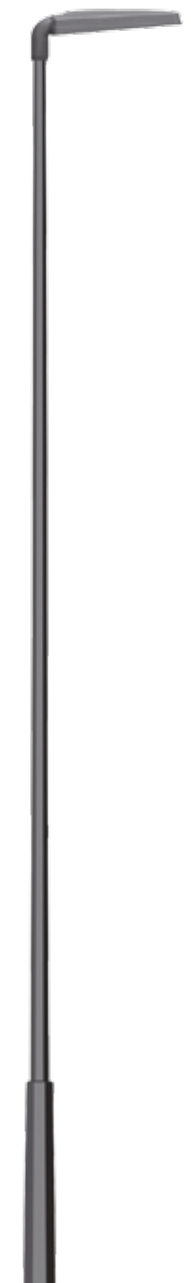
SPRINT



B - ELINA
OCTO 700



C - Curved pole 600



D - Jura 600



F - Curved poles x3
600 + 700 + 800



E - EXIS - cc 700

