

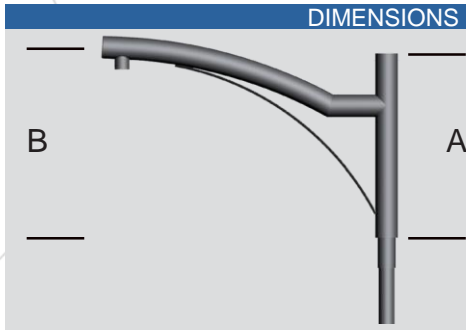
Welded decorative arms

PRINCIALE

STANDARD

- Decorative arm in galvanized steel.
- Standard Black RAL 9005.
- Available in 1 to 4 fixture configurations.
- Luminaire attachment options:
 - Lateral (Ø60 mm)
 - Suspended (PG34 female).
- Attaches to the top of the pole (Ø60, Ø75 or Ø89).
- Decorative accessories available.
- Surface Treatment : thermo-lacquer at 220° (Available in RAL Colors).

DIMENSIONS



3D RENDER



RENDER



Model	A (cm)	B (cm)
PRINCIALE 70	50	50
PRINCIALE 100	70	65
PRINCIALE 150	100	110

