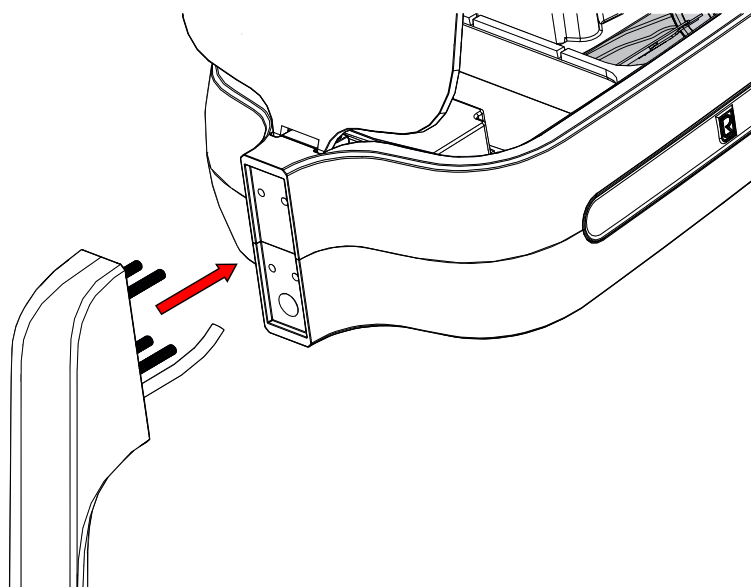
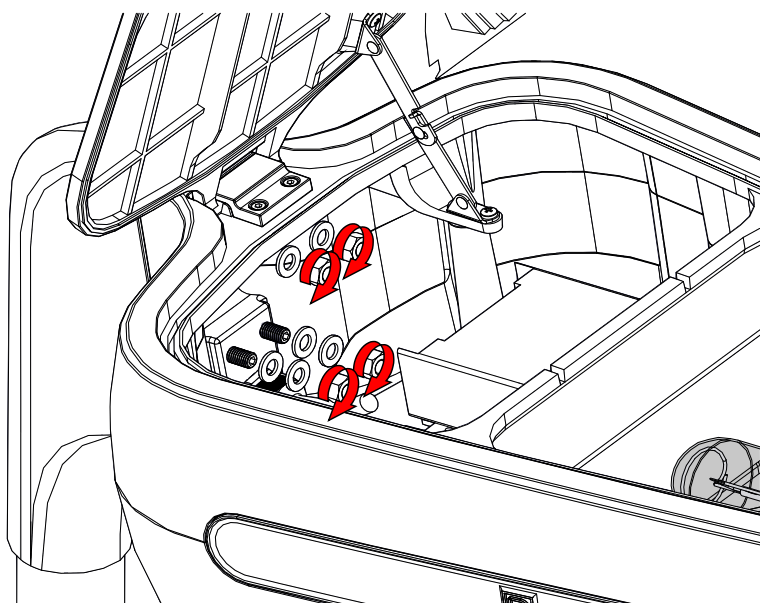


1 - Open the luminaire by unlocking the hook at the front.



2 - Remove the nuts and washers of the bracket. Slide the cable and the screws through the holes made for that purpose on the luminaire.



3 - First place the flat washers and the lock washers and then screw the 4 nuts M8 by the inside of the luminaire. Close the luminaire.