



# KETCH

ARCHITECTURAL RANGE - DESIGN LINES

## TECHNICAL CHARACTERISTICS

### Protection index

Optical unit	IP 66
Electrical	IP 66

### Shock resistance

IK 08

### Materials

Luminaire	Galvanized steel
Pole	Galvanized steel
Protection	Tempered glass

## ELECTRICAL CHARACTERISTICS

- Power current up to 700 mA
- Surge protector and over/under voltage protection (optional).
- Electrical class: class II
- Incorporated driver. Two drivers for the two off-set luminaires version
- Optional lighting management systems: automatic time-related lowering of intensity with up to 5 levels, presence detection, constant flux, graduation by means of voltage variation, 1-10V or DALI control

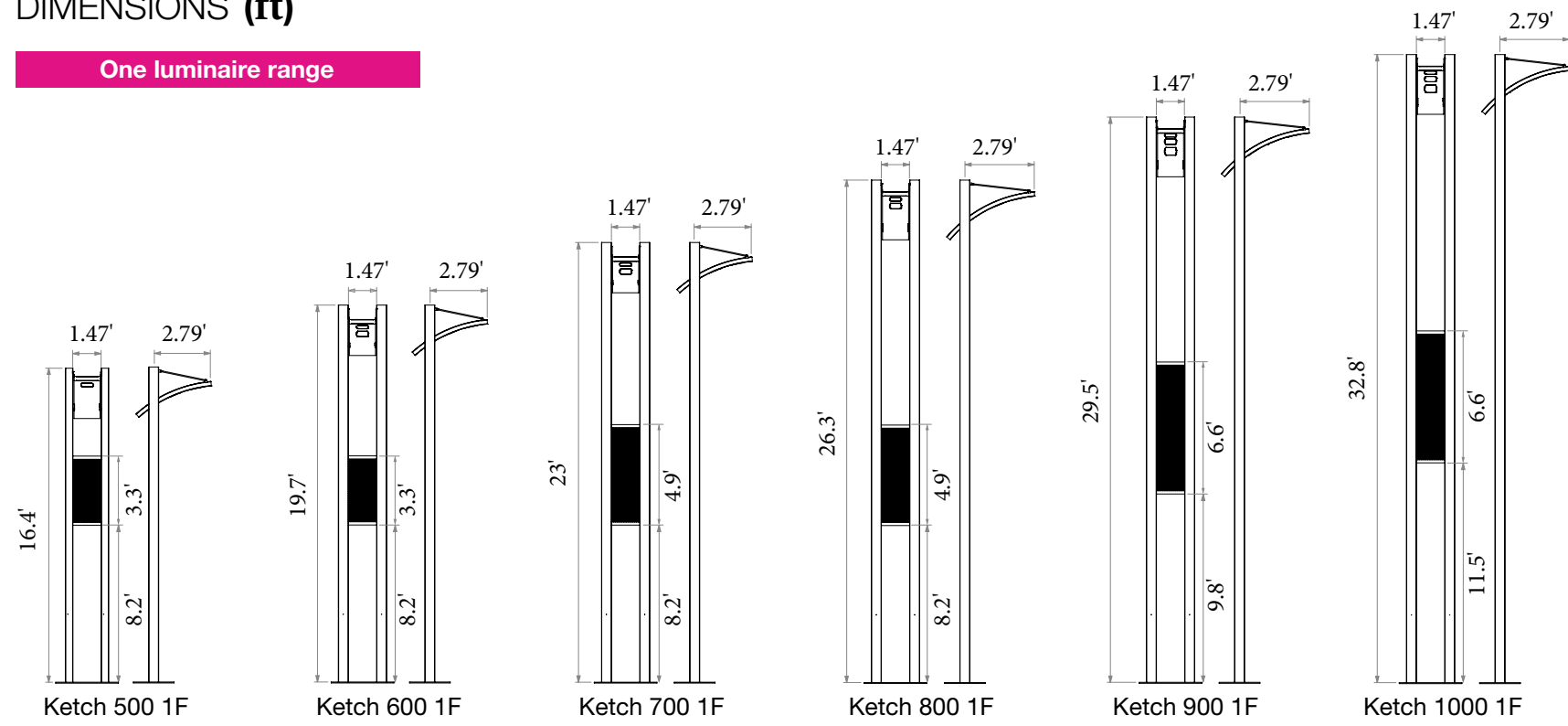
## LIGHTING DISTRIBUTIONS

Type II  
Type III  
Type IV  
Type V



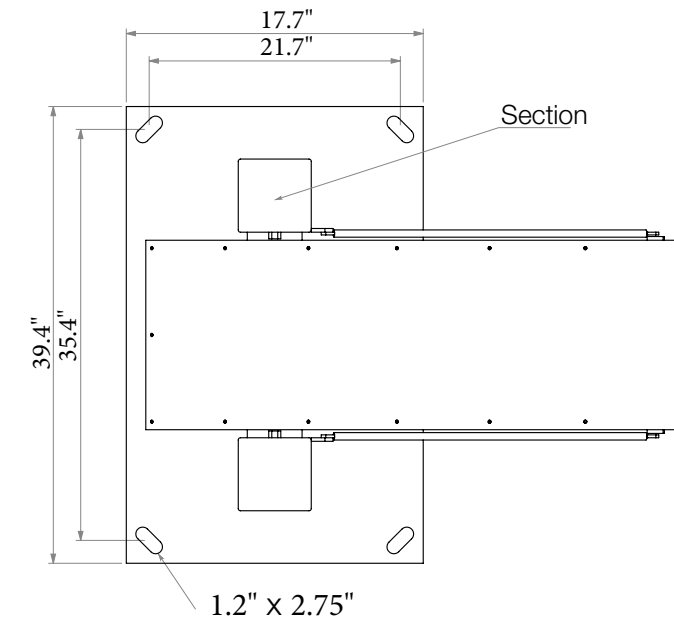
**DIMENSIONS (ft)**

**One luminaire range**



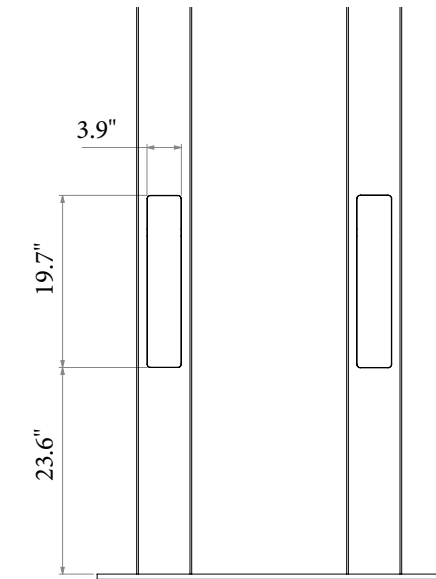
**DIMENSIONS (in)**

**Top view**



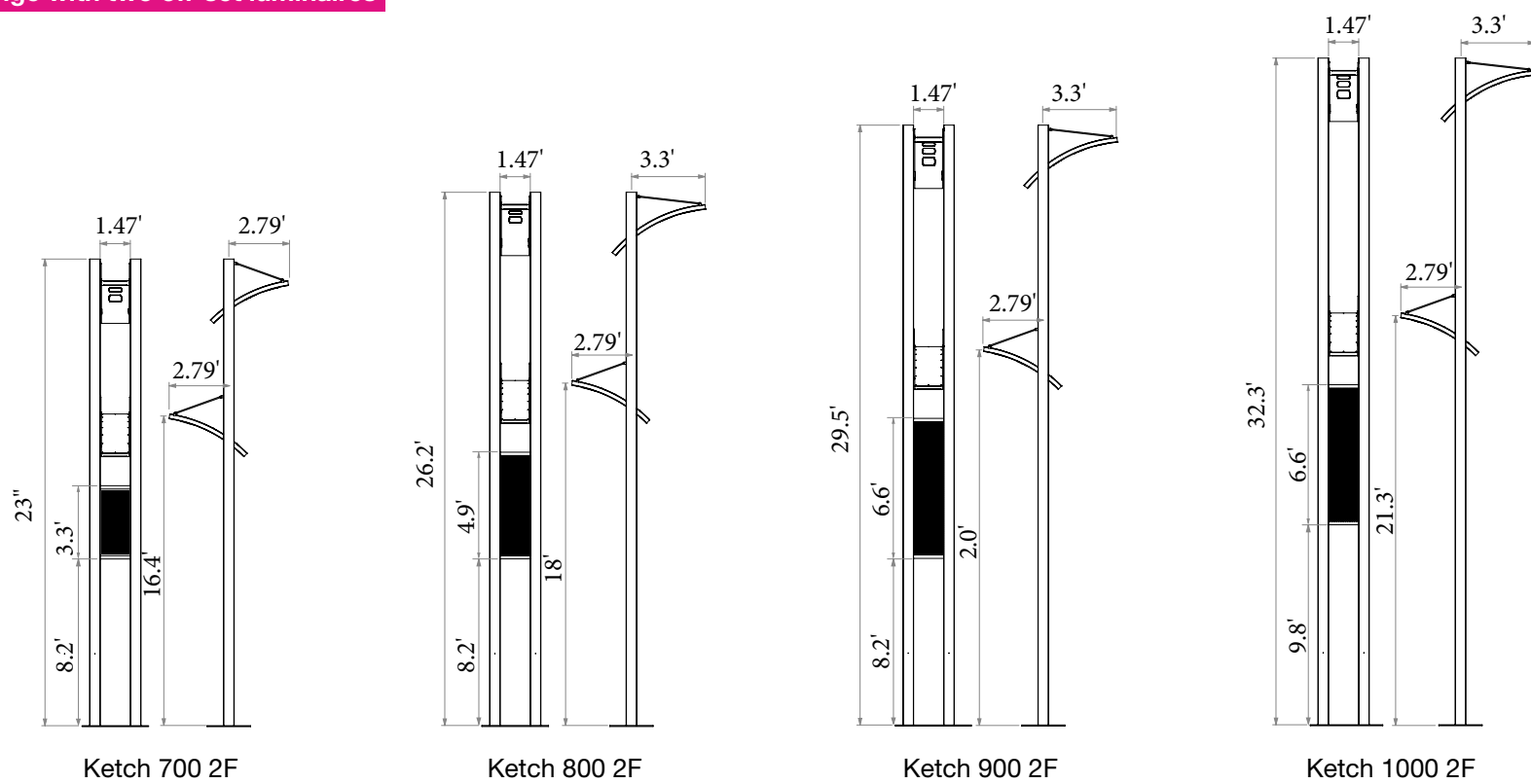
Square-section: 6.3" x 6.3" or  
Ketch 500 1F: 4.7" x 4.7"

**Doors**



One door for the one luminaire versions.  
Two doors for the two off-set luminaires versions.

**Range with two off-set luminaires**



### EVO2 MODULE

The EVO2 is very compact so that it can be incorporated into numerous luminaires in the Ragni range. In particular, it can replace classic reflectors (high-pressure sodium lamps, metal halide lamps...), and its compactness has made it possible to create the Ketch with its thin profile.



- LED manufacturer: CREE
- LED life-cycle: up to 100,000 hours
- Color temperatures: 3000K ou 4000K.
- CRI above 70

### POWER AND LUMINOUS INTENSITIES PER MODULE - LUMINAIRE OUTPUT DATA

3000 K Number of LED	350 mA			500 mA			700 mA		
	P <sub>t</sub> (W)	Φ (lm)	(lm/W)	P <sub>t</sub> (W)	Φ (lm)	(lm/W)	P <sub>t</sub> (W)	Φ (lm)	(lm/W)
16	21.4	1988	93	28.2	2867	102	36	3636	101
32	34.4	3976	116	48.8	5734	118	68.9	7271	106
48	51	5964	117	72.6	8601	118	102.3	10907	107

4000 K Number of LED	350 mA			500 mA			700 mA		
	P <sub>t</sub> (W)	Φ (lm)	(lm/W)	P <sub>t</sub> (W)	Φ (lm)	(lm/W)	P <sub>t</sub> (W)	Φ (lm)	(lm/W)
16	21.4	2147	100	28.2	3097	110	36	3932	109
32	34.4	4294	125	48.8	6193	127	68.9	7863	114
48	51	6441	126	72.6	9290	128	102.3	11795	115

P<sub>t</sub> (W) = Total power consumption including driver consumption • Φ Nominal flux (lm) • Luminous efficiency (lm/W)

### ORDERING INFORMATION

Step 1: Choose a Fixture

Model	# LED	CCT (K)	Drive Current (mA)	Distribution	Line Voltage	Color Fixture	
KET	16	3 - (3000)	35 - (350 mA)	T1	1-(120-277V)	BLK - (Black)	
	32	4 - (4000)	50 - (500 mA)	T2	3-(347-480V)	BRZ - (Bronze)	
	48			70 - (700 mA)	T3		WHT - (White)
				C - (Custom)	T4		(RAL #)
					T5		

Step 2: Choose a pole and the number of fixtures per pole

Pole	Pole Height (ft)	Fixture 1	Mounting Height (ft)	Direction	Fixture 2	Mounting Height (ft)	Direction
KETP	5 - (16.4)	1F	5 - (16.4)	F - (Front)	2F	5 - (16.4)	F - (Front)
	6 - (19.7)		6 - (19.7)	B - (Back)		6 - (19.7)	B - (Back)
	7 - (23)		7 - (23)			7 - (23)	
	8 - (26.3)		8 - (26.3)			8 - (26.3)	
	9 - (29.5)		9 - (29.5)			9 - (29.5)	
	10 - (32.8)		10 - (32.8)			10 - (32.8)	
	C - (Custom)		C - (Custom)			C - (Custom)	

Note: For more than one fixture on the same pole, continue the same pole catalog number and input new information to the right, starting at mounting height.

## APPEARANCE

The name Ketch - meaning a two-masted sailboat, gracious but strong enough to confront the high seas - has been adopted for this line with a double mast and curved luminaire.

Created to be incorporated into urban planning projects, the Ketch is a decidedly urban and original line with design reminiscent of a sail combined with industrial design. The shape of the Ketch recalls moving mechanical parts such as a balance wheel or engine piston. This rough industrial look also gives the Ketch its urban style.



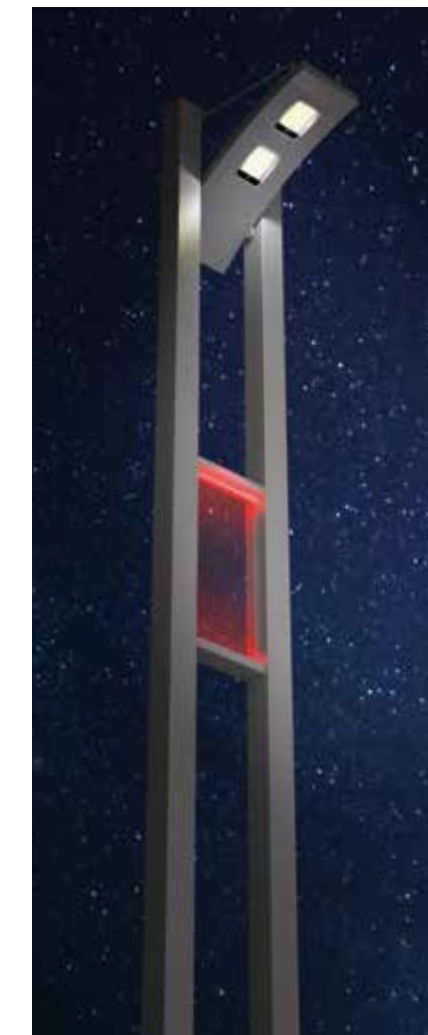
**Option:** RAL as per the client's choice.

- The decorative mesh can be painted in the same color as the rest of the ensemble on a different color.

## Examples of optional customization of the mesh.



**Option:**  
an image can be applied to, or cut off, the mesh. (Example of a cut-out plate acting as a logo and replacing the grid.)

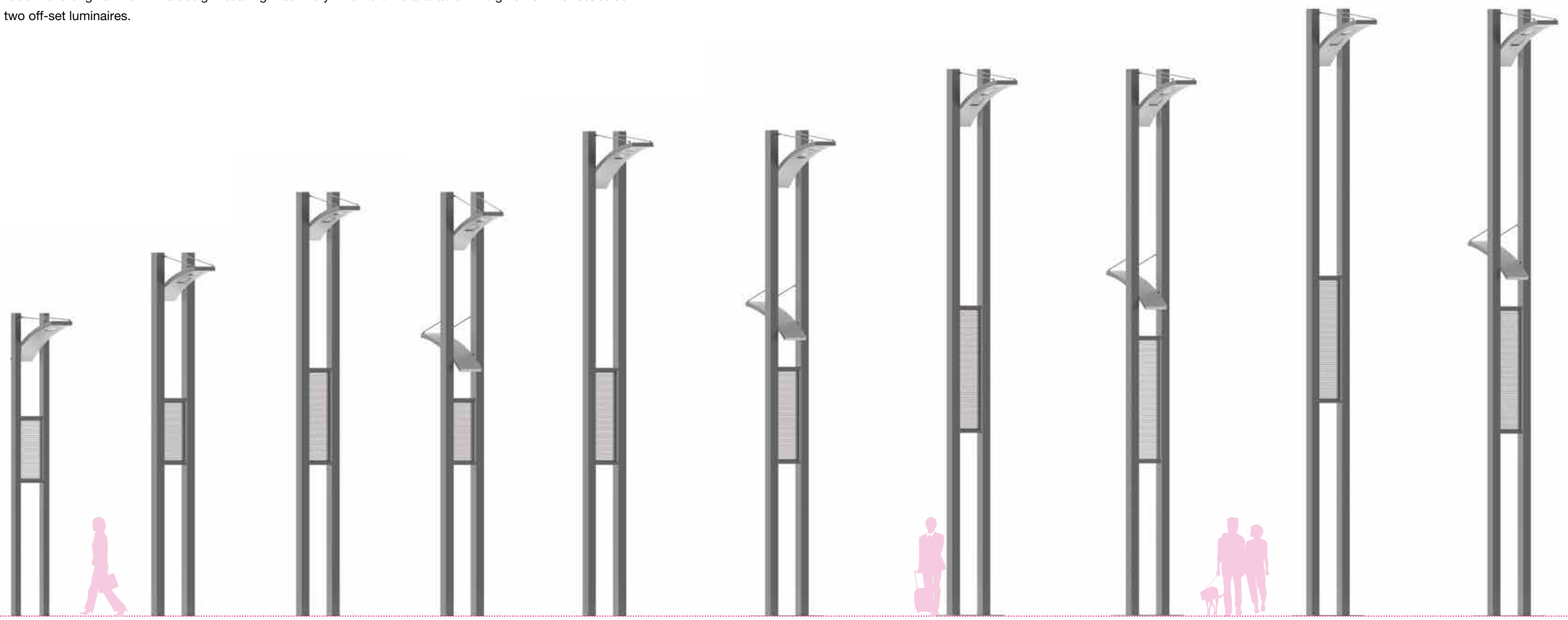


**Option:**  
a colored strip of LEDs can be added around the edge of the mesh to illuminate it in green, blue, red or white.



### RANGE

Ketch is a decidedly urban, modern and original line with a design recalling machinery. The Ketch is available in heights from 16 feet to 33 feet. It is also available with two off-set luminaires.



<b>KETCH</b>	Ketch 500 1F 1 EVO2	Ketch 600 1F 2 EVO2	Ketch 700 1F 2 EVO2	Ketch 700 2F 2 EVO2 + 1 EVO2	Ketch 800 1F 2 EVO2	Ketch 800 2F 2 EVO2 + 1 EVO2	Ketch 900 1F 3 EVO2	Ketch 900 2F 3 EVO2+ 2 EVO2	Ketch 1000 1F 3 EVO2	Ketch 1000 2F 3 EVO2 + 2 EVO2
--------------	------------------------	------------------------	------------------------	---------------------------------	------------------------	---------------------------------	------------------------	--------------------------------	-------------------------	----------------------------------

