



GRIFFXL

STREET LIGHTING



TECHNICAL CHARACTERISTICS

	Side mounted on bracket	Top mounted
Weight (lbs) <i>Without control gear</i>	23.1	27.6
EPA (ft²)	0.65	0.75
Protection index	IP66	
Shock resistance	IK 08 (IK 10 optional)	
Materials:		
Luminaire	Injected cast aluminium	
Top mounted version's connector	Cast aluminium	
Protection	Tempered glass	

ELECTRICAL CHARACTERISTICS

- Power current up to 1050mA
- Electrical class: I & II (Only class I for PCB 24 LED)
- Nominal voltage: 110V to 277V and 347V to 480V
- Varistor (protection against high voltages)
- Driver integrated into the luminaire
- Optional lighting management systems
- Optional surge protector (integration at the base of the pole)

LIGHTING DISTRIBUTIONS

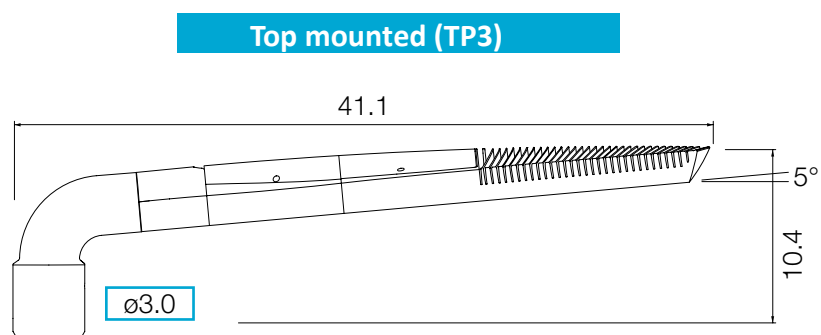
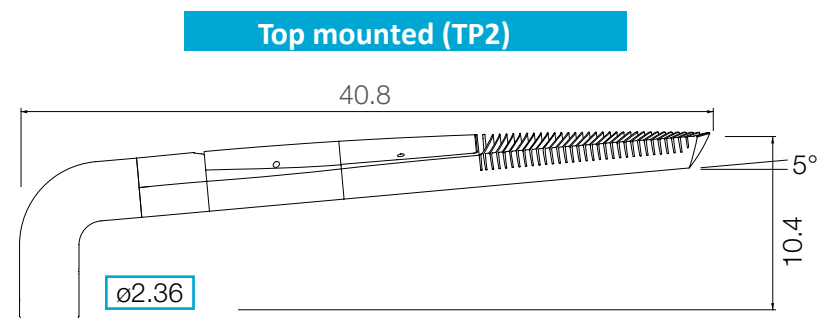
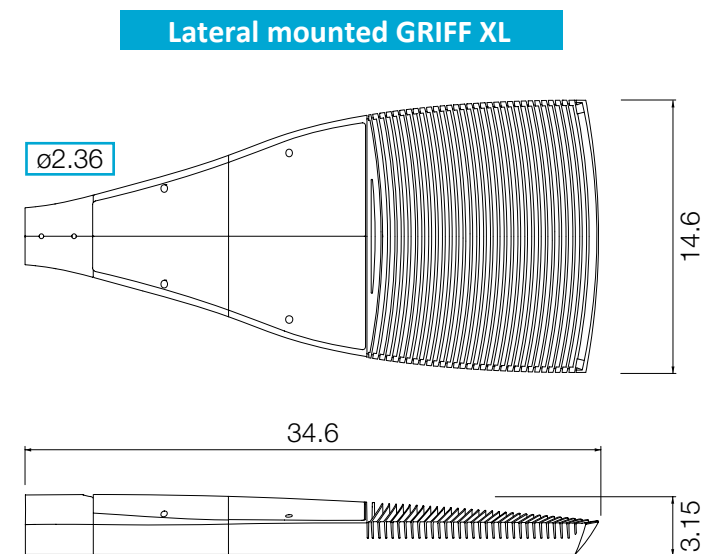
- Type I
- Type II
- Type III
- Type IV
- Type V

All information is subject to change without notice
Update: 04/14/2021

www.ragni-lighting.com



DIMENSIONS (In)

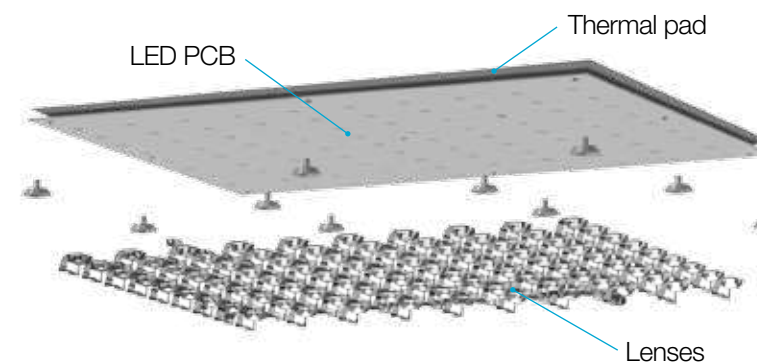


THERMAL MANAGEMENT

The heat-conducting pad applied between the PCB and the body as well as an integrated heat sink optimize the thermal control of the luminaire.

LED PCB

The LED PCB has been developed to make the creation of luminaires such as the GriffXL possible: slender luminaires dedicated to LED, proposing very powerful and precise lighting. The duo thermal pad and luminaire's body integrated heater insure an optimal thermal management.



- LED manufacturer: NICHIA
- LED life cycle: up to 95 000 hours. i.e.: 50 000 hours at 70% @ 700 mA
- Color temperature: 3000K or 4000K (other color temperatures on request)
- CRI above 75

POWERS AND LUMINOUS INTENSITIES- LUMINAIRE OUTPUT DATA

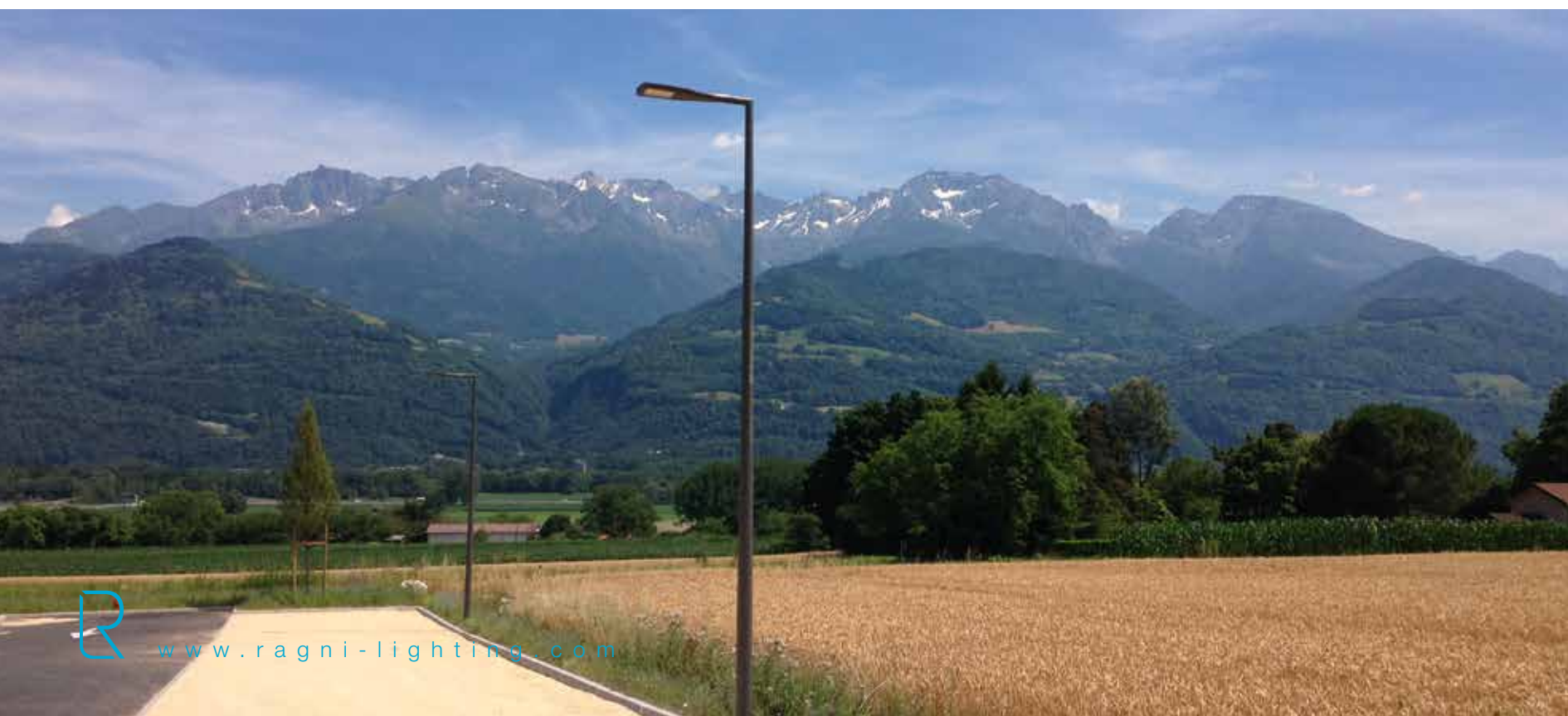
3000 K		350 mA			500 mA			700 mA			1050 mA		
		P _t (W)	Φ (lm)	(lm/W)	P _t (W)	Φ (lm)	(lm/W)	P _t (W)	Φ (lm)	(lm/W)	P _t (W)	Φ (lm)	(lm/W)
32	36	4040	112	51.5	5770	112	73	7590	104	112	10265	92	
48	53.5	6060	113	76.5	8655	113	108	11385	105	160.5	15395	96	
64	69	8075	117	99.5	11540	116	142	15180	107	215	20525	95	
80	85.5	10095	118	123	14425	117	175	18975	108	265	25655	97	

4000 K		350 mA			500 mA			700 mA			1050 mA		
		P _t (W)	Φ (lm)	(lm/W)	P _t (W)	Φ (lm)	(lm/W)	P _t (W)	Φ (lm)	(lm/W)	P _t (W)	Φ (lm)	(lm/W)
32	36	4595	128	51.5	6235	121	73	8205	112	112	11095	99	
48	53.5	6895	129	76.5	9355	122	108	12310	114	160.5	16645	104	
64	69	9190	133	99.5	12475	125	142	16415	116	215	22190	103	
80	85.5	11490	134	123	15595	127	175	20515	117	265	27740	105	

P_t (W) = Total power consumption including driver consumption • Φ Nominal flux (lm) • Luminous efficiency (lm/W)

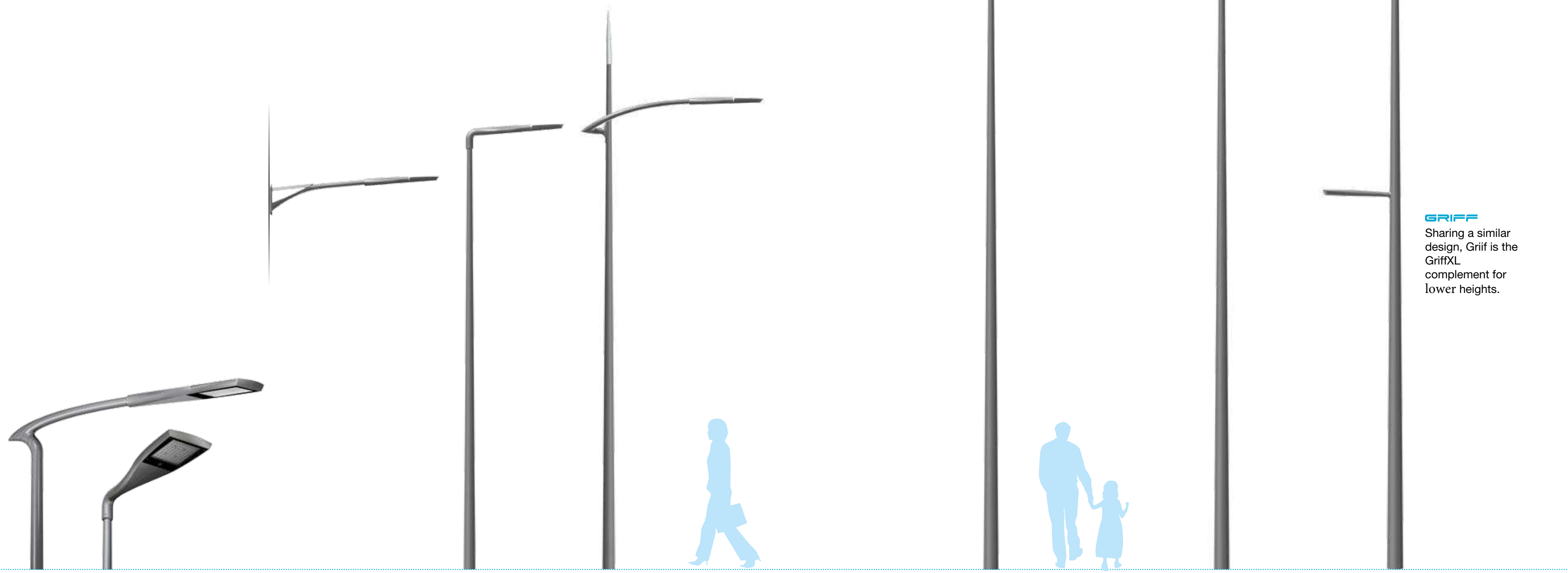
ORDERING INFORMATION

Model	# LED	CCT	Drive Current	Distribution	Line Voltage	Mounting	Color
GRIFFX	32	3 - (3000K)	35 - (350)	T1	1 - (120-277)	TP2 - (Top Mounted)	BLK - (Black)
	48	4 - (4000K)	50 - (500)	T2	3 - (347-480)	TP3 - (Top Mounted)	BRZ - (Bronze)
	64		70 - (700)	T3		LT - (Lateral)	SLV - (Silver)
	80		105 - (1050)	T4			WHT - (White)
			C - (Custom)		T5		



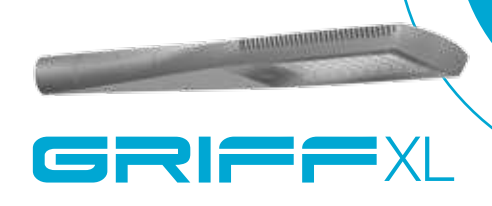


POLE, ARM & LUMINAIRE COMBINATIONS



GRIFF
Sharing a similar design, Griff is the GriffXL complement for lower heights.

GRIFFXL A - KAÏROS wall mounted B - cc 500 C - SWING - cc 500 D - KAÏROS - cc 700 E - cc 700 F - EXIS - cc 800



GRIFFXL

