



TECHNICAL CHARACTERISTICS

	Side mounted on bracket	m/cp	1f	2f
Weight (lbs) <i>Without control gear</i>	17.6	15.4	17.6	30.1
EPA (ft²)	0.54	0.65	0.75	1.18
Protection index	IP66			
Shock resistance	IK 08			
Materials:				
Luminaire	Injected cast aluminium			
Side mounted version's connector	Cast aluminium			
Protection	Tempered glass			

ELECTRICAL CHARACTERISTICS

- Power current up to 1050 mA
- Electrical class: I & II
- Nominal voltage: 110V to 277V and 347V to 480V
- Optional surge protector or over/under voltage protection systems (integration at the base of the pole)
- Driver integrated into the luminaire
- Optional lighting management systems

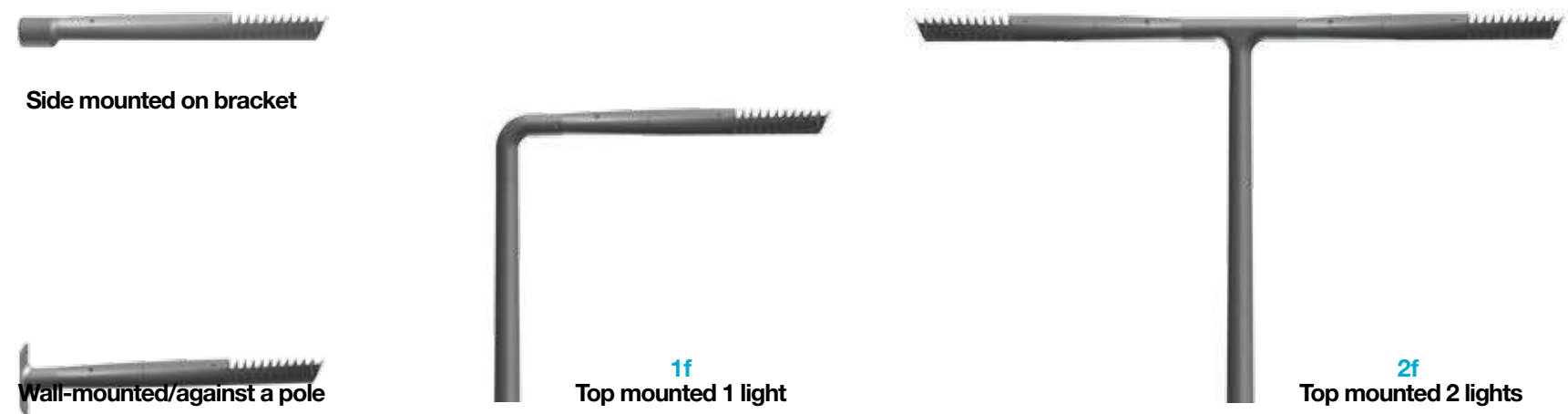
LIGHTING DISTRIBUTIONS

Type II
Type III
Type IV
Type V



GRIFFS

RANGE



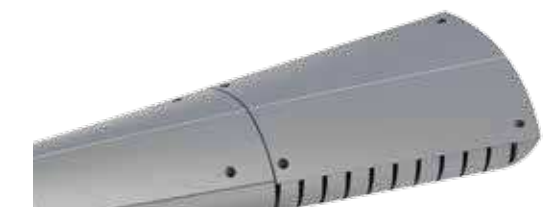
Side mounted on bracket

Wall-mounted/against a pole

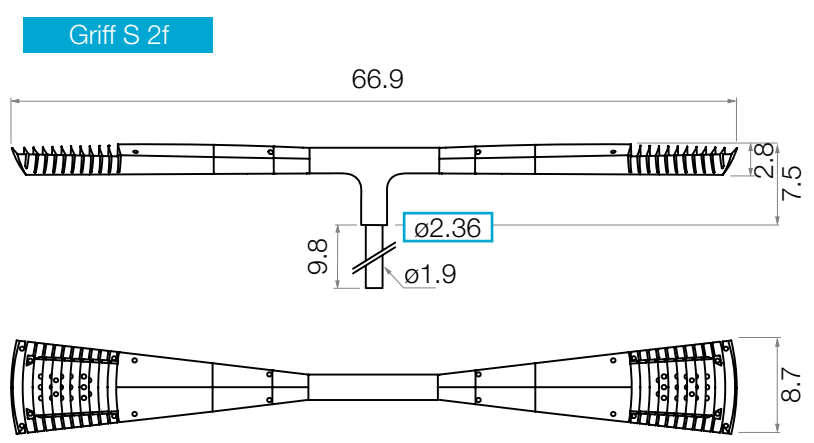
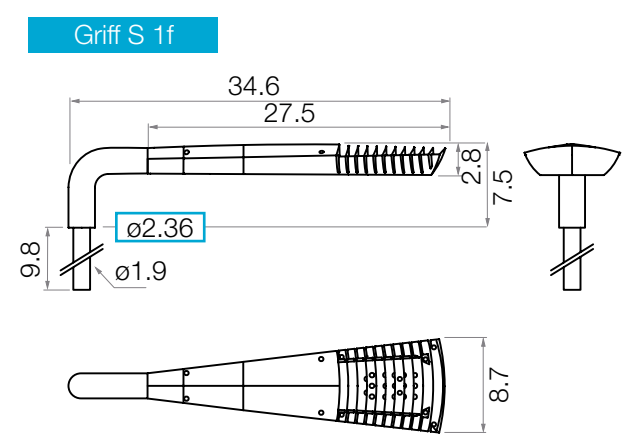
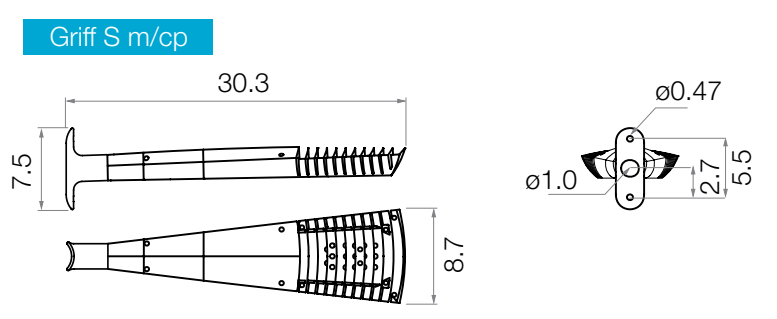
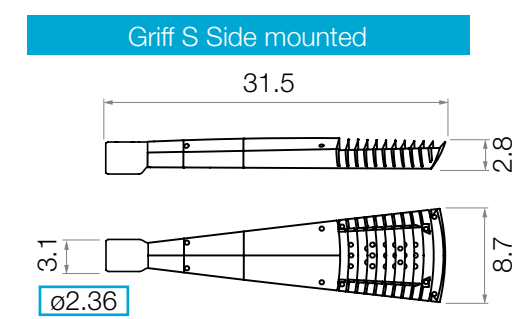
1f
Top mounted 1 light

2f
Top mounted 2 lights

HEAT SINK COVER (ON REQUEST)



DIMENSIONS (In)



FF PCB

The LED PCB fitted in the Griff S luminaire ensures powerful and precise lighting. Its modularity allows adapting its specifications to offer numerous photometric possibilities.



- LED manufacturer: CREE
- LED's life cycle: up to 100 000 hours. i.e.: 60 000 hours at 90% @ 350 mA
- Color temperature: 3000K (4000K on request)
- CRI above 70

POWER AND LUMINOUS INTENSITIES - LUMINAIRE OUTPUT DATA

3000 K		350 mA			500 mA			700 mA			1050 mA		
Number of LED	PCB	P _t (W)	Φ (lm)	(lm/W)	P _t (W)	Φ (lm)	(lm/W)	P _t (W)	Φ (lm)	(lm/W)	P _t (W)	Φ (lm)	(lm/W)
16	2x4	21.4	1988	93	28.2	2867	102	36	3636	101	54.6	4895	90
	2x8	21.4	1988	93	28.2	2867	102	36	3636	101	54.6	4895	90
32	2x8	34.4	3976	116	48.8	5734	118	68.9	7271	106			

4000 K		350 mA			500 mA			700 mA			1050 mA		
Number of LED	PCB	P _t (W)	Φ (lm)	(lm/W)	P _t (W)	Φ (lm)	(lm/W)	P _t (W)	Φ (lm)	(lm/W)	P _t (W)	Φ (lm)	(lm/W)
16	2x4	21.4	2147	100	28.2	3097	110	36	3932	109	54.6	5301	97
	2x8	21.4	2147	100	28.2	3097	110	36	3932	109	54.6	5301	97
32	2x8	34.4	4294	125	48.8	6193	127	68.9	7863	114			

P_t (W) = Total power consumption including driver consumption • Φ Nominal flux (lm) • Luminous efficiency (lm/W)

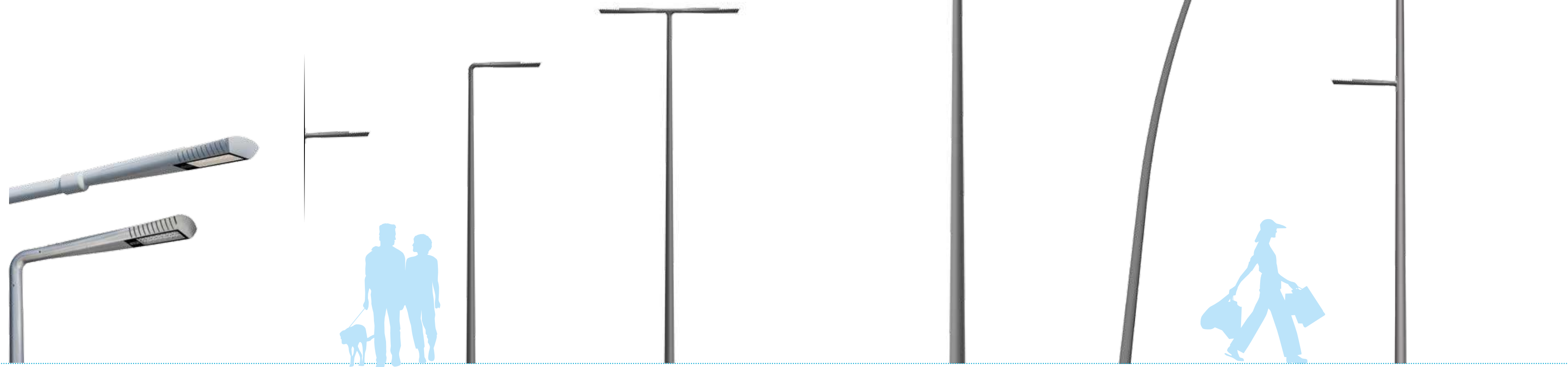
ORDERING INFORMATION

Model	# LED	Drive Current	CCT	Distribution	Line Voltage	Mounting	Color	Heat Sink Cover
GRFS	16	35 - (350 mA)	3 - (3000K)	T2	1 - (120-277)	TP - (Top Mounted)	BLK - (Black)	HSC
		50 - (500 mA)						
	32	70 - (700 mA)	4 - (4000K)	T3	3 - (347-480)	WL - (Wall Mount)	BRZ - (Bronze)	
		105 - (1050 mA)*		T4		LT - (Lateral)	SLV - (Silver)	
				Custom		T5	WHT - (White)	
						(RAL #)		

* Not available in 32 LED fixtures



POLE, ARM & LUMINAIRE **COMBINATIONS**



GRIFF^{XL}
Sharing a similar design,
Griff XL is the Griff S
complement
for greater heights.

GRIFFS A - Wall mounted B - cc 350 C - cc 400 D - TURIN 50 cc 700 E - Curved Pole 500 F - EXIS - cc 600



GRIFFS

