



# GRAPHIS LED

BOLLARDS RANGE

### TECHNICAL CHARACTERISTICS

	Graphis 600	Graphis 900	Graphis 1200
<b>Height (in)</b>	23.6	35.4	47.2
<b>Weight (lbs)</b>	8.3	10.3	12.4
<b>Protection index</b>			
Optical unit		IP 65	
<b>Shock resistance</b>		IK10	
<b>Materials</b>			
Body		Aluminium or Steel	
Head		Injected cast aluminium	
Protection		Sun proof PC	

### ELECTRICAL CHARACTERISTICS

- Fed directly on the 110-277V
- Electrical class: I and II
- Nominal tension / Frequency: 110-277V / 50/60 Hz

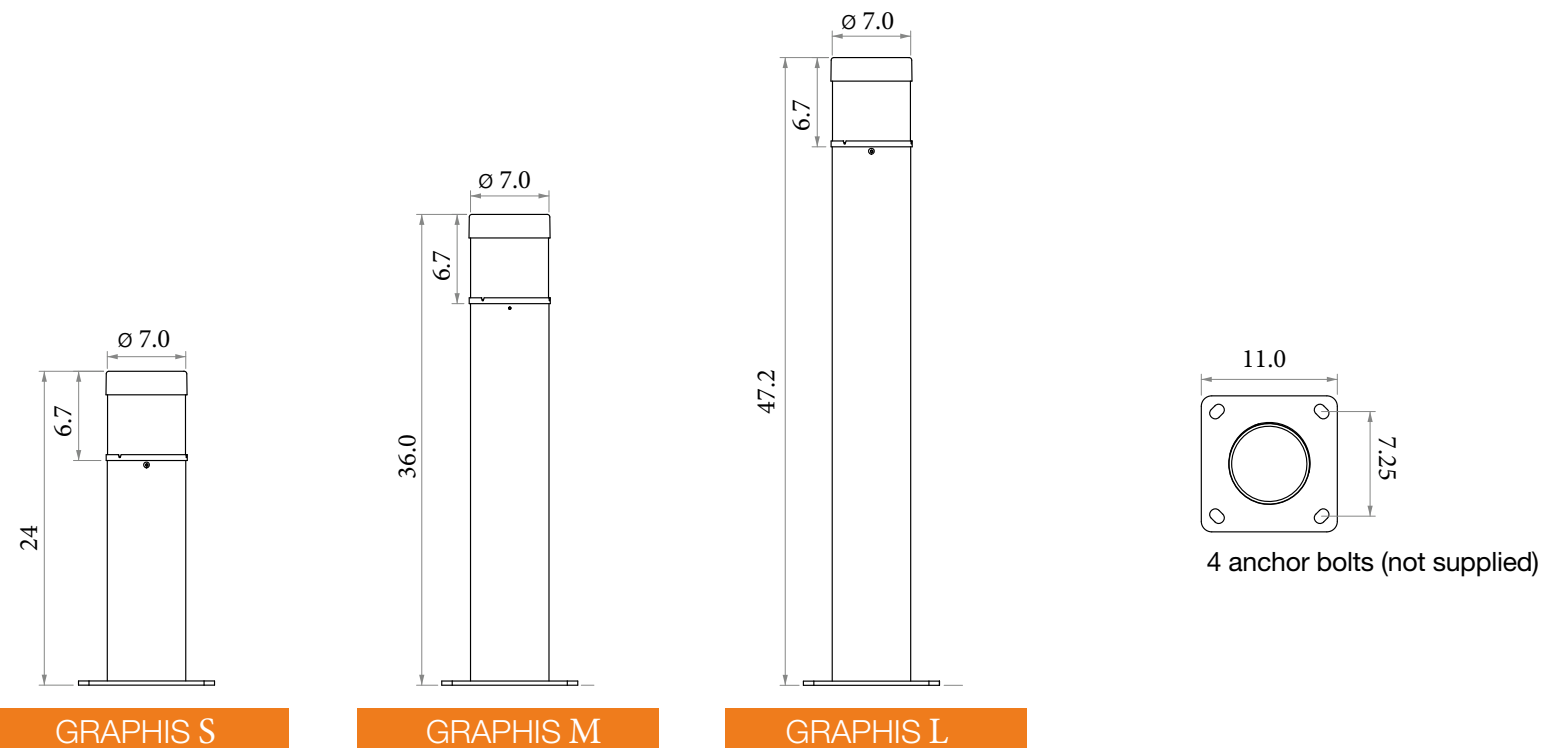
### LIGHTING DISTRIBUTIONS

- Type II
- Type V





**DIMENSIONS (in)**



**LED MODULE**

We have selected our LEDs from the best on the market for their quality and efficiency.

- LED life cycle: up to 60 000 hours at 70%.
- Color temperature: 3000K/4000K
- CRI above 70



**POWER AND LUMINOUS INTENSITIES - LUMINAIRE OUTPUT DATA**

Number of LEDs	350 mA			500 mA			700 mA			800 mA		
	P <sub>t</sub> (W)	Φ (lm)	(lm/W)	P <sub>t</sub> (W)	Φ (lm)	(lm/W)	P <sub>t</sub> (W)	Φ (lm)	(lm/W)	P <sub>t</sub> (W)	Φ (lm)	(lm/W)
16	21	2200	104.8	30	2900	96.7	40	3850	96.3	47	4150	88.3

P<sub>t</sub> (W) = Total power consumption including driver consumption • Φ Nominal flux (lm) • Luminous efficiency (lm/W)

**ORDERING INFORMATION**

Fixture	Module	Size	CCT	Drive Current	Distribution	Line Voltage	Color
GRAPHIS	1AS16	S - (24")	3 - (3000K)	35- (350 mA)	T2	120 - (120 V)	BLK - (Black)
		M - (36")		50 - (500 mA)		220 - (220 V)	BRZ - (Bronze)
		L - (48")		70 - (700 mA)		277 - (277 V)	SLV - (Silver)
		Custom		Custom		UNV	WHT - (White)
							RAL #

\* Custom Sizes available at no extra cost





**GRAPHIS LED**



EXAMPLES OF **ENSEMBLES**

