



# GRAPHIS LED

## BOLLARDS RANGE

### TECHNICAL CHARACTERISTICS

	Graphis 600	Graphis 900	Graphis 1200
<b>Height (in)</b>	23.6	35.4	47.2
<b>Weight (lbs)</b>	8.3	10.3	12.4
<b>Protection index</b>			
Optical unit		IP 65	
<b>Shock resistance</b>		IK10	
<b>Materials</b>			
Body		Aluminium or Steel	
Head		Injected cast aluminium	
Protection		Frosted PC with Anti-UV Treatment	

### ELECTRICAL CHARACTERISTICS

- Fed directly on the 110-277V
- Electrical class: I and II
- Nominal tension / Frequency: 110-277V / 50/60 Hz

### LIGHTING DISTRIBUTIONS

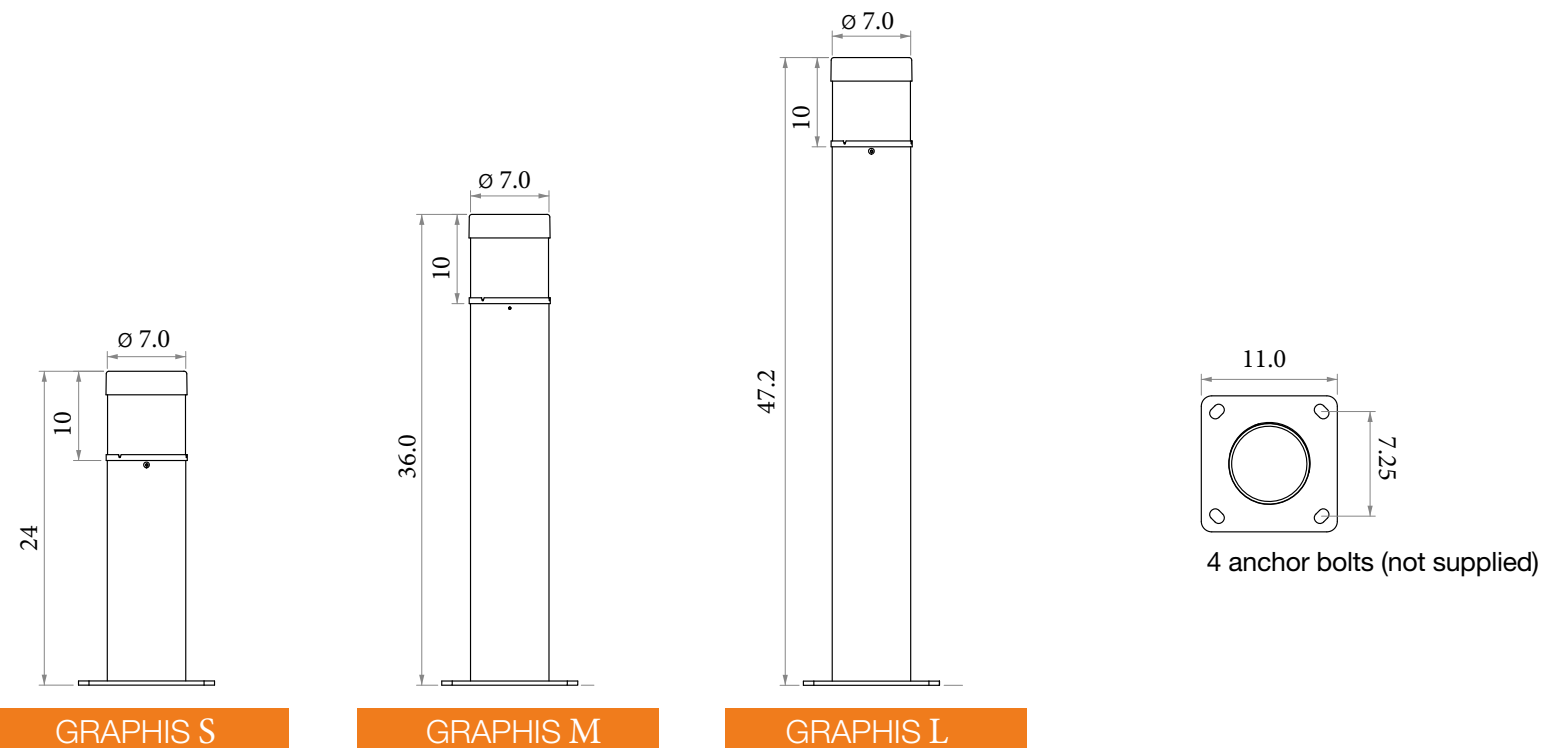
- Type IV
- Type V

All information is subject to change without notice  
Updated: 11/23/2020



**GRAPHIS LED**

**DIMENSIONS (in)**



**POWER AND LUMINOUS INTENSITY - luminaire output data**

3000K Number of LEDs	350 mA			500 mA			700 mA		
	P <sub>t</sub> (W)	Φ (lm)	(lm/W)	P <sub>t</sub> (W)	Φ (lm)	(lm/W)	P <sub>t</sub> (W)	Φ (lm)	(lm/W)
8	18.5	2345	125	26.5	3320	124	38.5	4480	116

4000K Number of LEDs	350 mA			500 mA			700 mA		
	P <sub>t</sub> (W)	Φ (lm)	(lm/W)	P <sub>t</sub> (W)	Φ (lm)	(lm/W)	P <sub>t</sub> (W)	Φ (lm)	(lm/W)
8	18.5	2460	132	26.5	3485	131	38.5	4706	122

P<sub>t</sub> (W) = Total power consumption including driver consumption • Φ Nominal flux (lm) • Luminous efficiency (lm/W)

**ORDERING INFORMATION**

Fixture	Module	Size	CCT	Drive Current	Distribution	Line Voltage	Color
GRAPHIS	AS2	S - (24")	3 - (3000K)	35- (350 mA)	T4	120 - (120 V)	BLK - (Black)
		M - (36")		50 - (500 mA)		220 - (220 V)	BRZ - (Bronze)
		L - (48")		70 - (700 mA)		277 - (277 V)	SLV - (Silver)
		Custom		Custom		UNV	WHT - (White)
							RAL #

\* Custom Sizes available at no extra cost



**GRAPHIS LED**



EXAMPLES OF **ENSEMBLES**

