

Graphis LED



AC 220V-240V
50/60Hz

Standard
Norme installation

Graphis LED
Poids/ Weight (kg)

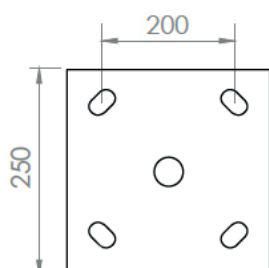
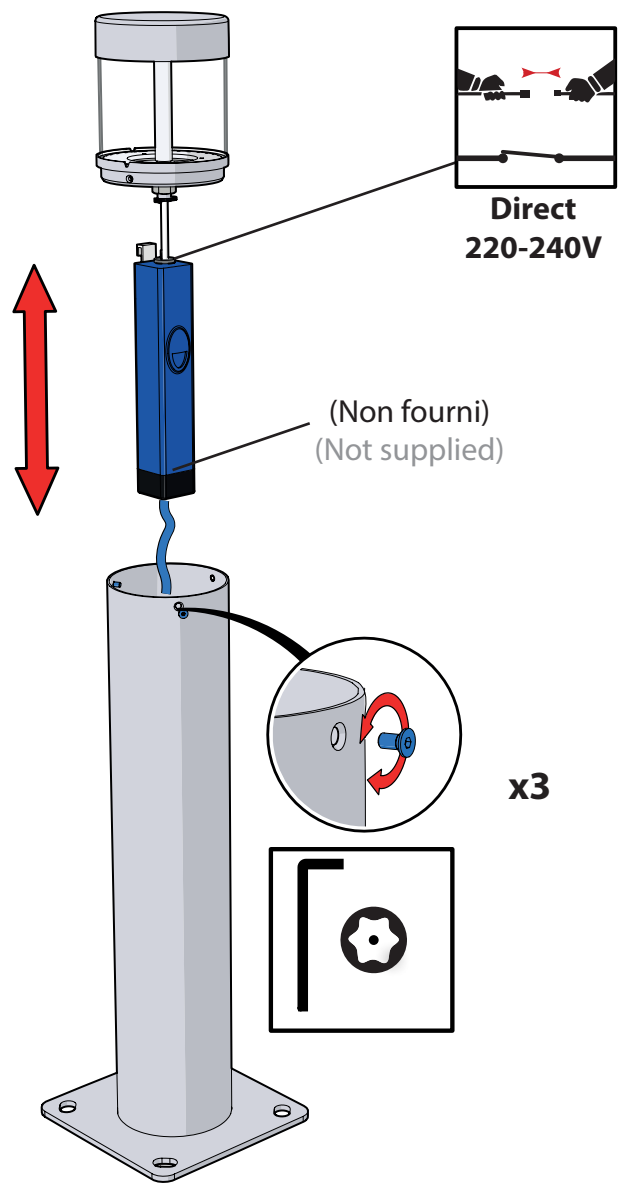
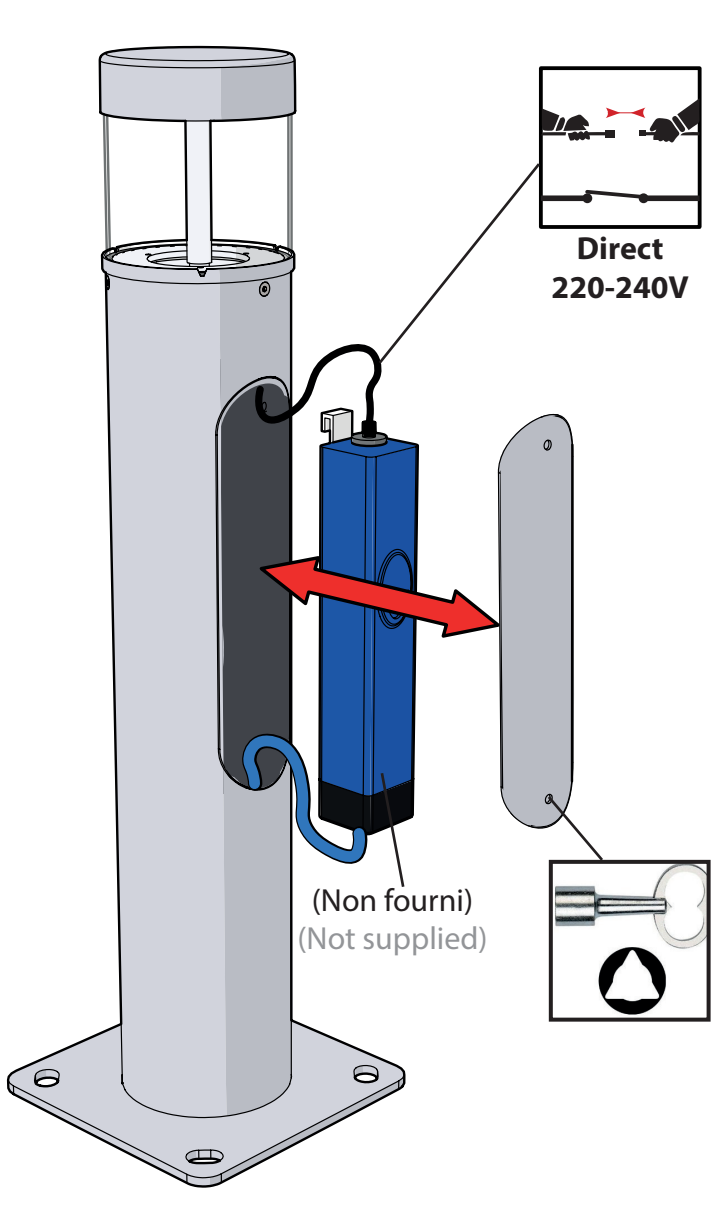
600
4 kg

900
6,2 kg

1200
8,1 kg

Avec porte/ With door

Sans porte/ Without door



4 Tiges M14/Ø16x300 (Non fournies)
4 anchor bolts M14/Ø16x300 (Not supplied)