

FESTALED

AMBIANCE LIGHTING PRODUCT RANGE - **RESIDENTIAL**

TECHNICAL CHARACTERISTICS

Weight (lbs)	3.3
Aerodynamic coefficient C_xS (m²)	0.215
Protection index:	
Optical unit	IP 66
Logement électrique / Electrical compartment	IP 66
Materials:	
Upper part	Cast aluminium
Protector	Sandblasted glass

ELECTRICAL CHARACTERISTICS

- Dimmable
- Option Warm-On-Dim
- High Power Factor >0.97
- Low THD <20%
- 120V Direct Connect - No Drivers/PSU's
- Long Operating Life
- Color temperature : 3000K and 4000K
- CRI 90

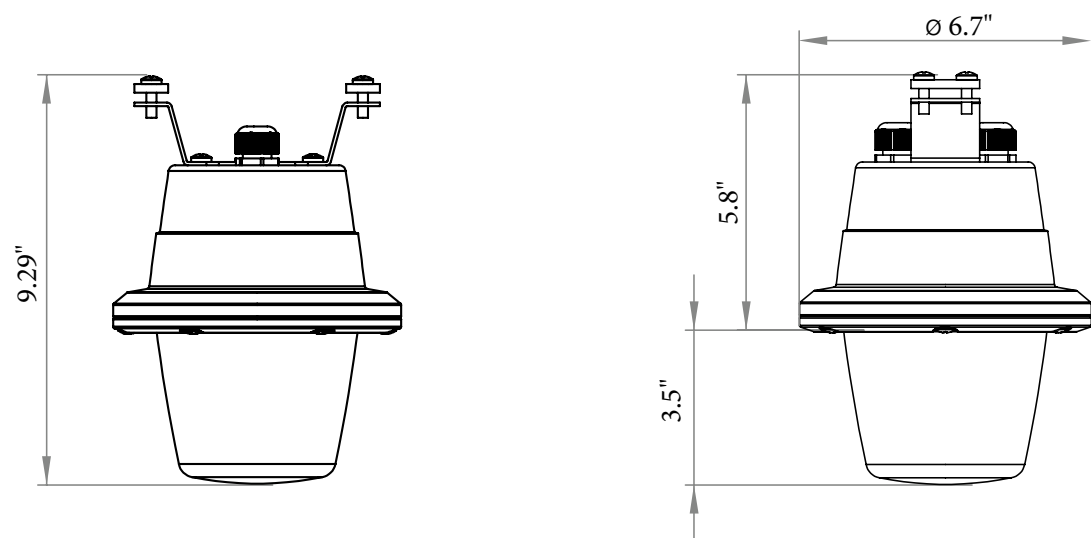
LIGHTING DISTRIBUTIONS

Type V



FESTALED

DIMENSIONS (in)



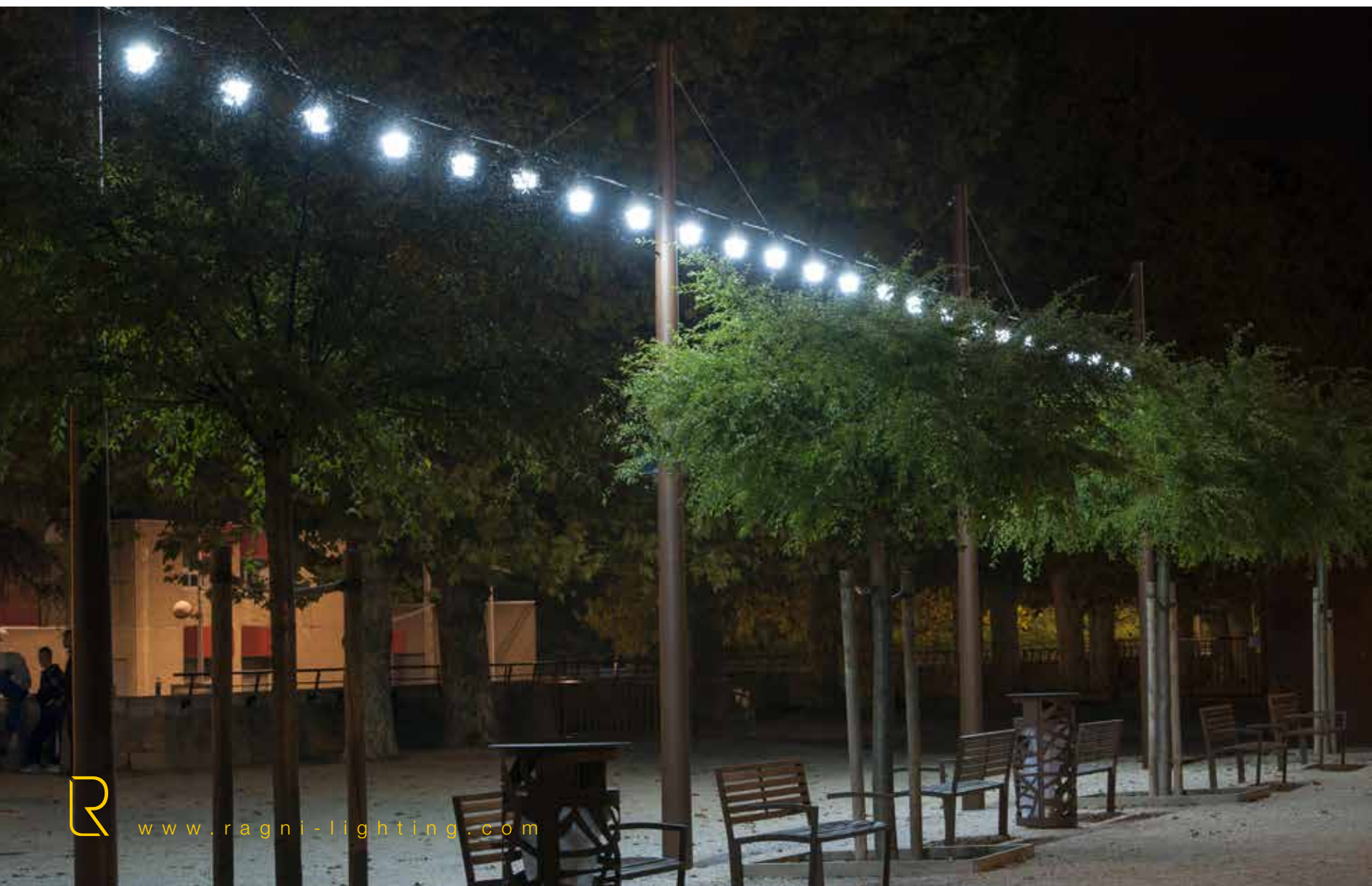
POWER AND LUMINOUS INTENSITIES

	P (W)	Φ (lm)	(lm/W)
3000K	9	641	71
4000K	9	675	75

P (W) = Power
 Φ Nominal flux (lm)
 Luminous efficiency (lm/W)

ORDERING INFORMATIONS

Model	# Module	CCT	Line Voltage	Mounting	Lens Type	Color
FestaLED	9 LED			Suspended		
		3000K	120 V		Frosted	Black
		4000K	220V		Clear	Bronze
						Silver
						White
						RAL #



APPEARANCE



• **Optional:** it is possible to **obtain colored light at night**. Possibility of inserting a color filter (dichroic filter) between the LEDs and the glass to tint the luminous flux.





FESTALED

