



# FESTALED

## Urban Ambiance - RESIDENTIAL

### TECHNICAL CHARACTERISTICS

<b>Weight (lbs)</b>	3.3
<b>Aerodynamic coefficient <math>C_xS</math> (m<sup>2</sup>)</b>	0.215
<b>Protection index:</b>	
Optical unit	IP 66
Logement électrique / Electrical compartment	IP 66
<b>Materials:</b>	
Upper part	Cast aluminium
Protector	Sandblasted glass

### ELECTRICAL CHARACTERISTICS

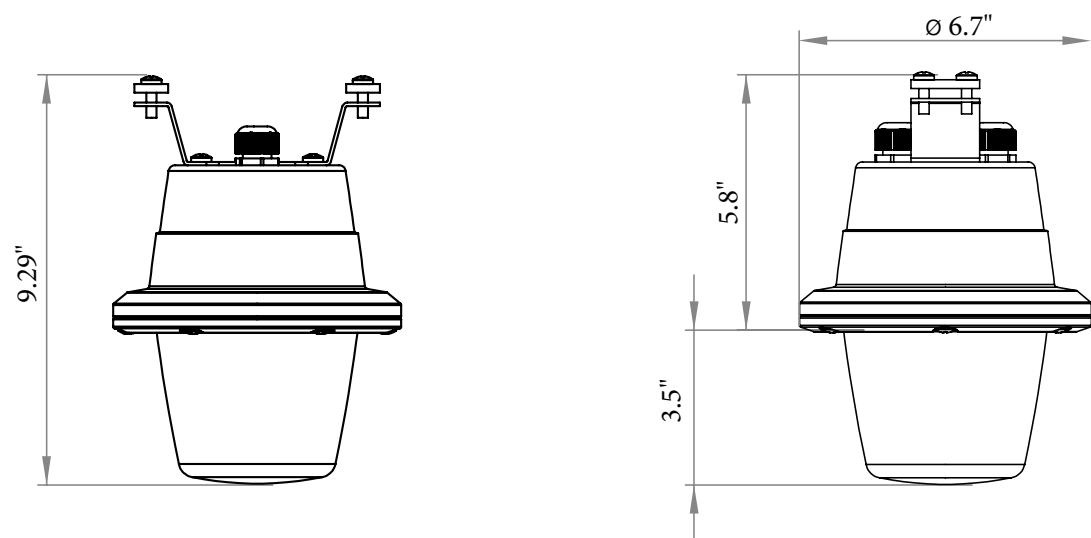
- Dimmable
- Option Warm-On-Dim
- High Power Factor >0.97
- Low THD <20%
- 120V Direct Connect - No Drivers/PSU's
- Long Operating Life
- Color temperature : 3000K and 4000K
- CRI 90

### LIGHTING DISTRIBUTIONS

Type V



DIMENSIONS (in)



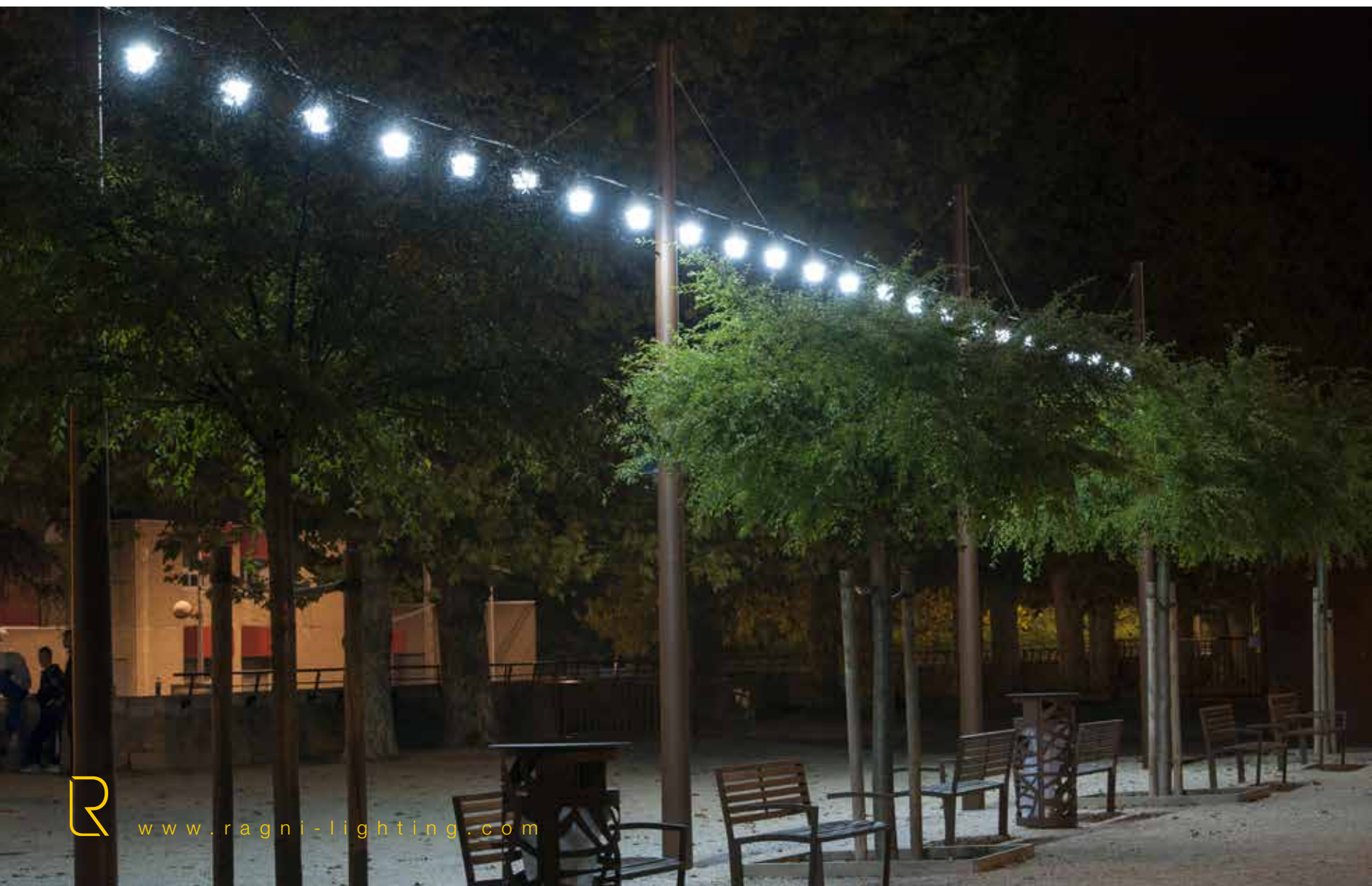
POWER AND LUMINOUS INTENSITIES

	P (W)	Φ (lm)	(lm/W)
3000K	9	641	71
4000K	9	675	75

P (W) = Power  
 Φ Nominal flux (lm)  
 Luminous efficiency (lm/W)

ORDERING INFORMATION

Model	# LED	CCT (K)	Line Voltage	Mounting	Lens Type	Color
Festa	9		120 V	SUS - (Suspended)	FR - (Frosted)	BLK - (Black)
		3 - (3000K)			CL - (Clear)	BRZ - (Bronze)
		4 - (4000K)			SLV - (Silver)	
					WHT - (White)	
						RAL #



APPEARANCE



• **Optional:** it is possible to **obtain colored light at night**. Possibility of inserting a color filter (dichroic filter) between the LEDs and the glass to tint the luminous flux.





**FESTALED**

