

## *Elegant design*

The EXIS bracket was designed to produce a subtle blend of streamlined and organic forms. The material is fashioned into lines that create a strong personality and a sculpture-like appearance. It offers many variations with two sizes available for wall and mid pole-mounting or top-mounting of one or two lights on a pole.



# EXIS

*Cnlet Design*



# Technical characteristics

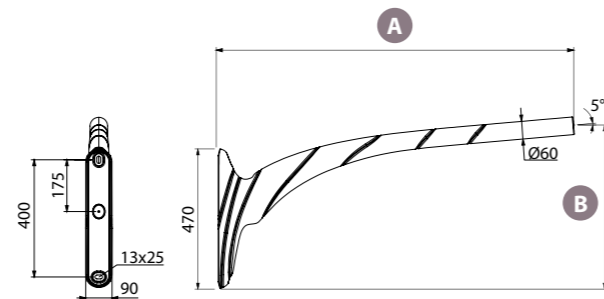
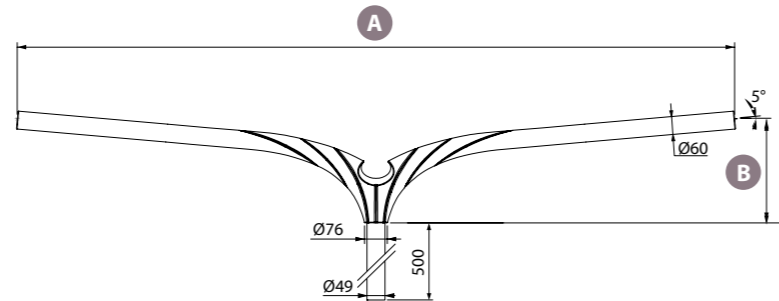
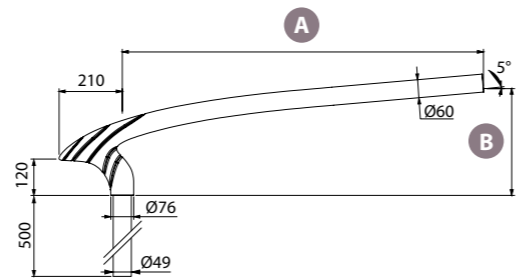
Material: Aluminium sand casting (EN 1706 AC42000S)

## Dimensions (mm)

	A	B
<b>EXIS 80 - 1 arm</b>	800	340
<b>EXIS 120 - 1 arm</b>	1200	375

	A	B
<b>EXIS 80 - 2 arm</b>	1600	310
<b>EXIS 120 - 2 arm</b>	2400	345

	A	B
<b>EXIS 80 against a pole or wall-mounted</b>	800	520
<b>EXIS 120 against a pole or wall-mounted</b>	1200	550



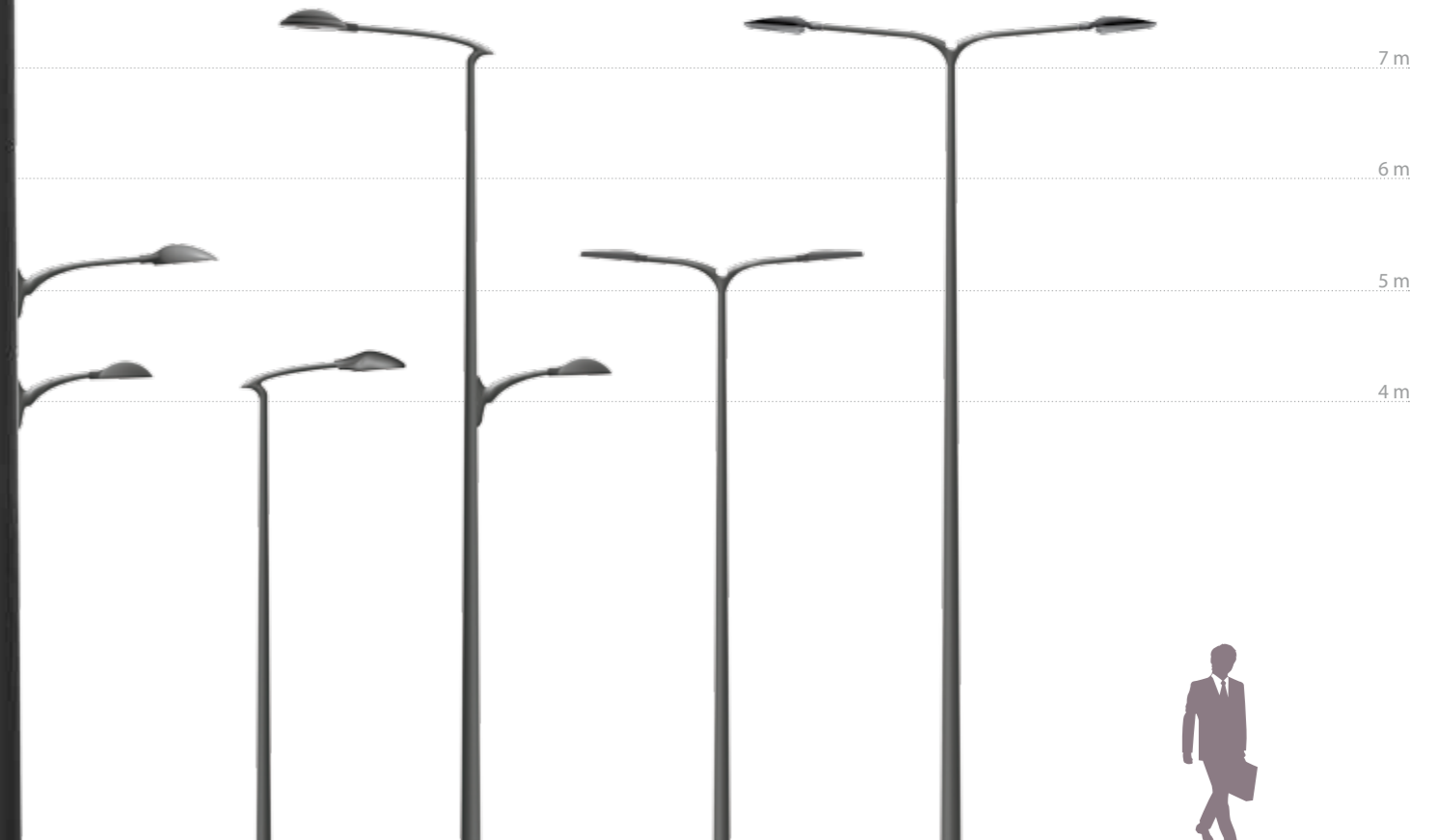
Simple light version



Double lights version



Against a pole or wall-mounted



# EXIS



Cnilet Design

