

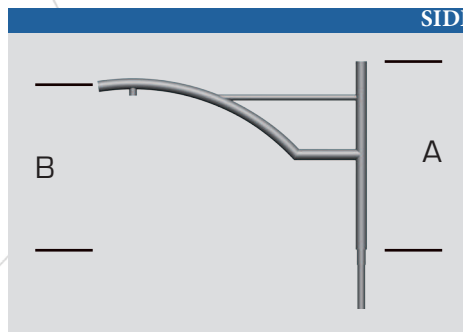
Mechanically welded decorative arms

EMANA

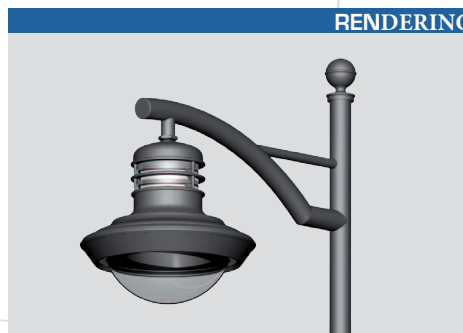
STANDARD

- Galvanized steel decorative console.
- Standard Black RAL 9005 - Rings and decorative ball.
- Available in single or double arms.
- Luminaire fixing: suspended
- Fixing mast top (Ø60, Ø75 or Ø89) or applied.
- Decorative accessories available as an option depending on the diameter
- Surface treatment: thermo-lacquer polyester powder 220 (RAL color or structured paint of your choice)

SIDE



RENDERING



3D RENDERING



Model	A [cm]	B [cm]
EMANA 70	60	40
EMANA 100	60	50
EMANA 150	80	70

