



## TECHNICAL CHARACTERISTICS

<b>Weight (lbs)</b> <i>Without control gear</i>	13.22
<b>EPA (ft<sup>2</sup>)</b>	0.86
<b>Protection index</b>	IP 66
<b>Shock resistance</b>	IK 10
<b>Materials:</b>	
Luminaire	Injected cast aluminium
Protection	Polycarbonate with anti-UV treatment

## ELECTRICAL CHARACTERISTICS

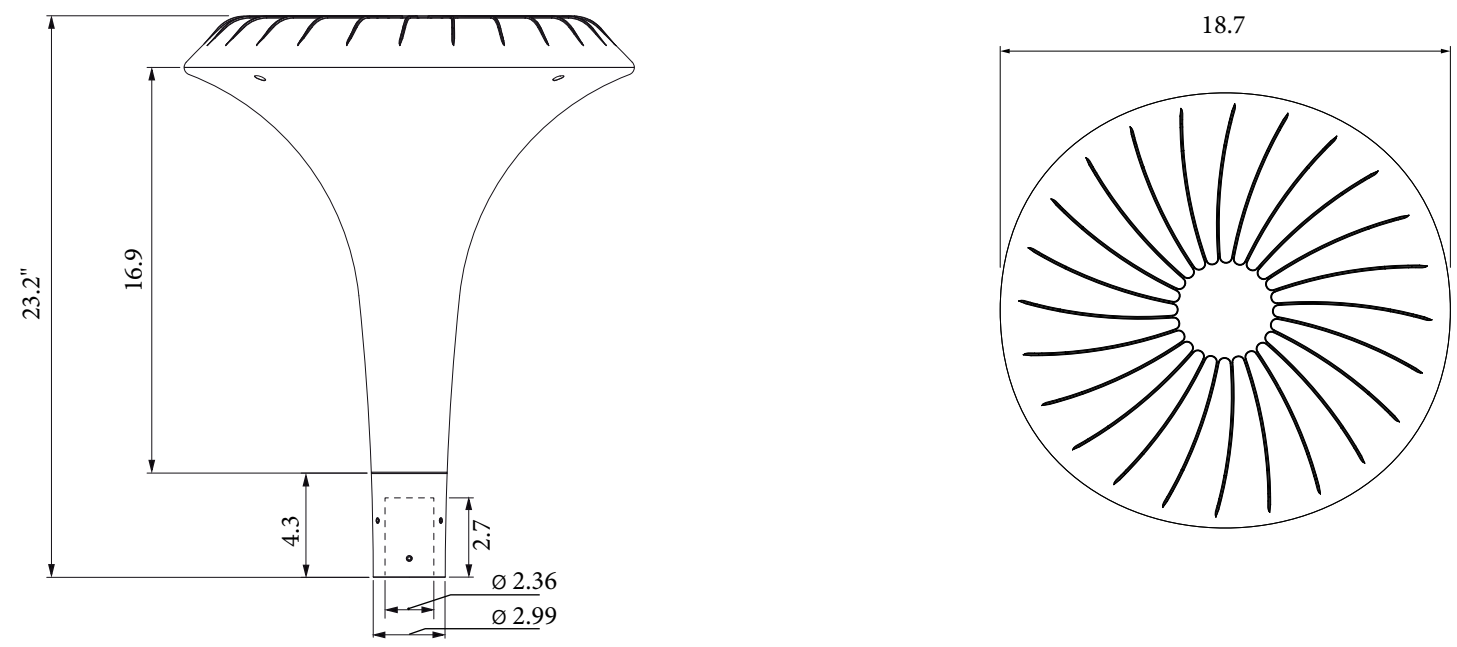
- Low cost solution with LED for modernizing obsolete luminaires
- Top mounted on Ø60
- Luminaire totally IP 66
- Incorporated driver
- IP 68 vent
- Varistor (overvoltage protection)
- Surge protector (on request)

## LIGHTING DISTRIBUTIONS

- Type I
- Type II
- Type III
- Type IV
- Type V



**DIMENSIONS (in)**



**FF PCB**

Reliable and efficient, the LED module fitted on the Chic is modular: its specifications are scalable to offer various photometric possibilities.



- LED manufacturer: CREE
- LED's life cycle: up to 100 000 hours. i.e.: 55 000 hours at 70% @ 500 mA
- Color temperature : 3000K and 4000K
- CRI above 70

**POWER AND LUMINOUS INTENSITIES - LUMINAIRE OUTPUT DATA**

3000 K	350 mA			500 mA			700 mA			
	Number of LED	P <sub>t</sub> (W)	Φ (lm)	(lm/W)	P <sub>t</sub> (W)	Φ (lm)	(lm/W)	P <sub>t</sub> (W)	Φ (lm)	(lm/W)
	16	21	1839	86	28	2652	94	36	3363	93
	32	34	3677	107	49	5304	109	69	6725	98

4000 K	350 mA			500 mA			700 mA			
	Number of LED	P <sub>t</sub> (W)	Φ (lm)	(lm/W)	P <sub>t</sub> (W)	Φ (lm)	(lm/W)	P <sub>t</sub> (W)	Φ (lm)	(lm/W)
	16	21	1987	93	28	2864	102	36	3636	101
	32	34	3971	117	49	5728	117	69	7271	106

P<sub>t</sub> (W) = Total power consumption including driver consumption • Φ Nominal flux (lm) • Luminous efficiency (lm/W)

**ORDERING INFORMATION**

Model	# LED	CCT	Drive Current	Distribution	Line Voltage	Mounting	Color
CHI	16	3 - (3000K)	35 - (350)	T1	1- (120-277)	TP - (Top Mounted)	BLK - (Black)
							BRZ - (Bronze)
							SLV - (Silver)
							WHT - (White)
							(RAL #)
32	4 - (4000K)	50 - (500)	T2	3- (347-480)		BRZ - (Bronze)	
						SLV - (Silver)	
						WHT - (White)	
						(RAL #)	
		70 - (700)	T3				
		C- (Custom)	T4				
			T5				





EXAMPLES OF ENSEMBLES



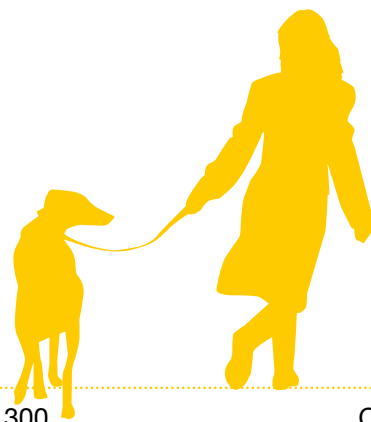
CHIC



A - SOREA wall mounted



B - HARMO 300



C - PULP 350



D - MERCURE - HELIOPOLIS 380



E - CADENCE - cc 300



F - St ANDRE - cc 400



G - ATILIS - cc 500

CHIC

