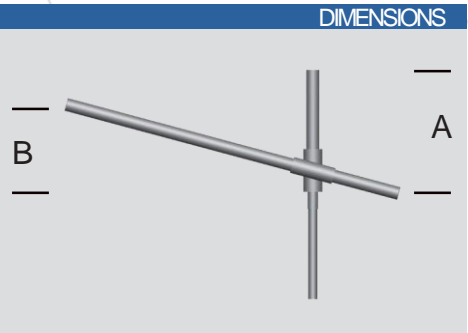


STANDARD

- Decorative arm in galvanized steel.
- Standard Black RAL 9005
- 15° tilt
- Available in 1 or 2 fixture configurations.
- Luminaire attachment options:
  - Lateral (Ø60)
  - Suspended (PG34 female).
- Attaches to the top of the pole (Ø60, Ø75, or Ø89).
- Decorative accessories available
- Surface treatment: thermo-lacquer at 220° (Available in RAL colors).

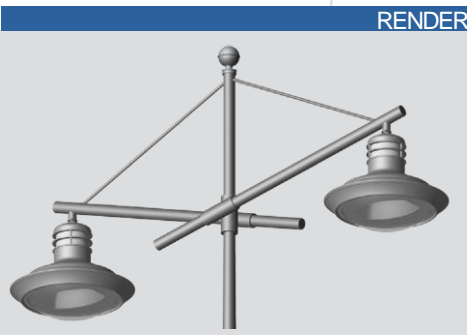
DIMENSIONS



3D RENDER



RENDER



Model	A (cm)	B (cm)
CERURA 70	40/70*	30
CERURA 100	60/90*	40
CERURA 150	60/90*	50

\* côtes brandon avec tirant

