

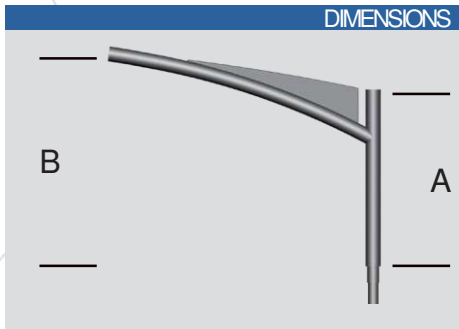
## Welded decorative arms

## BUSSELIA

### STANDARD

- Decorative arm in galvanized steel.
- Standard Black RAL 9005
- 10° tilt above lateral.
- Available in 1 to 4 fixture configurations.
- Luminaire attachment options:
  - Lateral (Ø60)
  - Suspended (PG34 female).
- Attaches to the top of the pole (Ø60, Ø75, or Ø89).
- Surface treatment: thermo-lacquer at 220° (Available in RAL colors).

### DIMENSIONS



### RENDER



### 3D RENDER



Model	A (cm)	B (cm)
BUSSELIA 70	50	60
BUSSELIA 100	70	85

