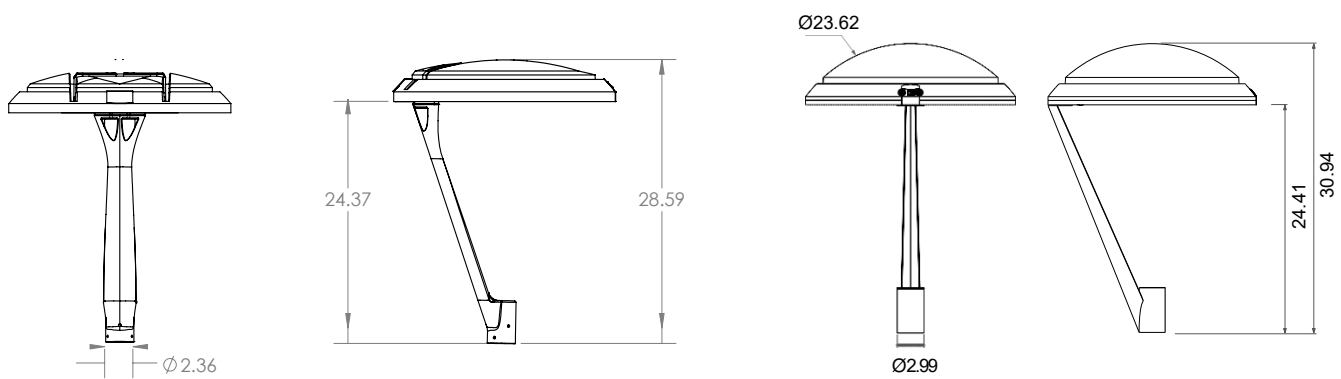




# Bratinia

## Dimensions (IN)



### Bratinia Slim 6600

### Bratinia 6600

|                                   |       |
|-----------------------------------|-------|
| <b>Weight (lb)</b>                | 31    |
| <b>EPA (ft<sup>2</sup>)</b> ..... | 0.65  |
| <b>Electrical class</b>           | 2     |
| <b>Protection index</b>           |       |
| Optical unit.....                 | IP 66 |
| Electrical housing.....           | IP 66 |
| <b>Shock resistance</b> .....     | IK 08 |

|                                   |       |
|-----------------------------------|-------|
| <b>Weight (lb)</b>                | 22    |
| <b>EPA (ft<sup>2</sup>)</b> ..... | 0.753 |
| <b>Electrical class</b>           | 2     |
| <b>Protection index</b>           |       |
| Optical unit.....                 | IP 66 |
| Electrical housing.....           | IP 66 |
| <b>Shock resistance</b> .....     | IK 08 |

## Options

IK 10 on request  
 Optional: Disconnects upon opening



# Bratinia

## Photometric characteristics

### Lighting projects

360°



360° «circular symmetrical»  
type: square, small square, pedestrian and parking areas...

180°



180° «road asymmetrical»  
type: street, narrow street, pedestrian path...

## Technical characteristics

### Materials

Fixture: Injected cast aluminium  
Arm: Galvanized steel  
External lens: Tempered glass

### Protection Shape

Standard: Flat glass

### Protection Finish

Standard: Transparent

### Optical

EVO 2

### Maximum Power

80 LED at 700mA

### Mounting

Top mounted: Ø60  
Depth of insertion: 3.54 in



Bratinia Slim 6600



Bratinia 6600

# Bratinia

## Power and luminous intensities per module - Luminaire output data

| 6600 Slim | 6600 | 3000K          |      | 350 mA             |        |        | 500 mA             |        |        | 700 mA             |        |        |
|-----------|------|----------------|------|--------------------|--------|--------|--------------------|--------|--------|--------------------|--------|--------|
|           |      | Number of LEDs |      | P <sub>t</sub> (W) | Φ (lm) | (lm/W) | P <sub>t</sub> (W) | Φ (lm) | (lm/W) | P <sub>t</sub> (W) | Φ (lm) | (lm/W) |
|           |      | 16             | 21.4 | 1988               | 93     | 28.2   | 2867               | 102    | 36     | 3636               | 101    |        |
| 32        | 34.4 | 3976           | 116  | 48.8               | 5734   | 118    | 68.9               | 7271   | 106    |                    |        |        |
| 48        | 51   | 5964           | 117  | 72.6               | 8601   | 118    | 102.3              | 10907  | 107    |                    |        |        |
| 80        | 85.5 | 10095          | 118  | 123                | 14425  | 117    | 175                | 18957  | 108    |                    |        |        |

| 6600 Slim | 6600 | 4000K          |      | 350 mA             |        |        | 500 mA             |        |        | 700 mA             |        |        |
|-----------|------|----------------|------|--------------------|--------|--------|--------------------|--------|--------|--------------------|--------|--------|
|           |      | Number of LEDs |      | P <sub>t</sub> (W) | Φ (lm) | (lm/W) | P <sub>t</sub> (W) | Φ (lm) | (lm/W) | P <sub>t</sub> (W) | Φ (lm) | (lm/W) |
|           |      | 16             | 21.4 | 2147               | 100    | 28.2   | 3097               | 110    | 36     | 3932               | 109    |        |
| 32        | 34.4 | 4294           | 125  | 48.8               | 6193   | 127    | 68.9               | 7863   | 114    |                    |        |        |
| 48        | 51   | 6441           | 126  | 72.6               | 9290   | 128    | 102.3              | 11795  | 115    |                    |        |        |
| 80        | 85.5 | 11490          | 134  | 123                | 15595  | 127    | 175                | 20515  | 117    |                    |        |        |

P<sub>t</sub> (W) = Total power consumption including driver consumption    Φ Nominal flux (lm)

## Ordering Information

| Model | Size | # LED | CCT (K)    | Drive Current (mA) | Dist | Line Voltage | Mounting           | Color Fixture  |
|-------|------|-------|------------|--------------------|------|--------------|--------------------|----------------|
| BRA   |      |       |            |                    |      |              |                    |                |
|       | Slim | 16    | 3 – (3000) | 35 – (350 mA)      | T1   | 120 V        | TP – (Top Mounted) | BLK – (Black)  |
|       | 6600 | 32    | 4 – (4000) | 50 – (500 mA)      | T2   | 220 V        | LT – (Lateral)     | BRZ – (Bronze) |
|       |      | 48    |            | 70 – (700 mA)      | T3   | 277 V        | SUS – (Suspended)  | SLV – (Silver) |
|       |      | 80    |            | Custom             | T4   | 347 V        |                    | WHT – (White)  |
|       |      |       |            |                    | T5   | 480 V        |                    | (RAL #)        |
|       |      |       |            |                    |      | UNV          |                    |                |

Custom orders available upon request

\*80 LED for 6600 Slim only



14175 East 42<sup>nd</sup> Avenue – Suite 60  
Denver – CO - 80239  
Tél. : (720) 370 – 0400  
info@ragni-lighting.com



[www.Ragni-lighting.com](http://www.Ragni-lighting.com)  
[www.ragnidurable.com](http://www.ragnidurable.com)