

# Iloa

Marine atmosphere



# Iloa

Path of light

Iloa conveys a decidedly marine ambiance. Its design is reminiscent of a mooring bollard for a boat while its lighting system borrows inspiration from that of lighthouses. This type of evocation, illicitly this model would seem to be the ideal choice for lighting tourist walkways in seaside areas.

However, the allusion stops there, as Iloa is fitted with a GENUINE Fresnel lens and is water-resistant even when fully submerged. Its low-angled glow - which can be heightened by means of a complimentary pole - discreetly embellishes seafront promenades. It will also add aesthetic appeal to pedestrian or residential areas. A bollard with a maritime style, offers an invitation to discover new horizons.





# Iloa

## 🌟 Highlights

Water tight IP67, can be submerged

Can be mounted to a pole that has a powder coat, stainless, or wooden sublimation

Ideal for ports, squares, gardens, walkways

Available in lamp or LED version

## 🌀 Technical characteristics

### Materials

Fixture: cast aluminium

Body (Iloa Réhaussé):

Aluminium

Protection: glass

### Protection Shape

Standard: Tubular

### Protection Finish

Standard: Transparent

### Maximum Power

HPS/MH: 70 W

3 LED module: 7,5 W @

700 mA

### Mounting

Center to center base

plate: 230 mm x 230 mm

4x anchor bolts M10x200

(not supplied)

### Color Standard

Textured grey 2900 or RAL

by choice



# Iloa

Path of Light



+ Fresnel lens



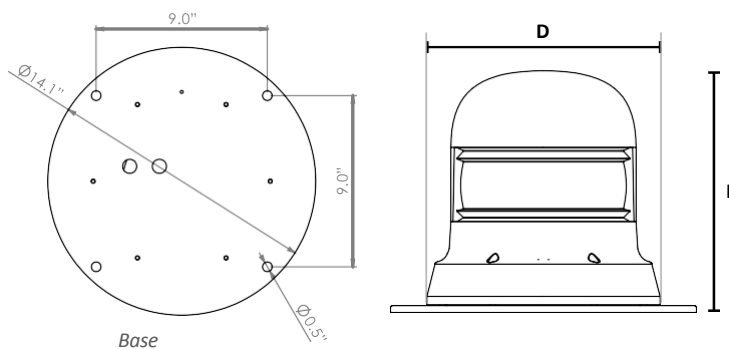
+ LED version + aluminium reflector



+ Base plate

## Electrical class

1 and 2



	Iloa	Iloa Réhauss
Weight (lbs)	24.25	33.07
(kg)	11	15
Protection Index	IP 67	IP 67
Shock Resistance	IK 08	IK 08

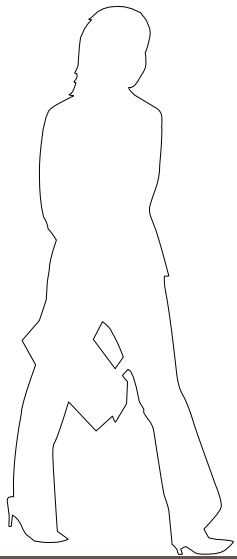
	D	H	D	H
Dimensions (in)	10.83	11.22	10.83	35.43
Dimensions (mm)	275	285	275	900

## Options

Event IP68  
IP 68vent

COMPATIBLE  
SOURCE LED





Iloa

A - Iloa  
180°

B - Iloa 180° + 90°

C - Iloa 180°  
36.0°

D - Iloa 180° + 90°  
36.0°





Iloa

Path of Light