



# GRAPHIS LED

LIGHT MARKINGS PRODUCT RANGE - BOLLARDS



## TECHNICAL CHARACTERISTICS

	Graphis 600	Graphis 900	Graphis 1200
<b>Height (in)</b>	23.6	35.4	47.2
<b>Weight (lbs)</b>	8.3	10.3	12.4
<b>Protection index</b>			
Optical unit		IP 65	
<b>Shock resistance</b>		IK 10	
<b>Materials</b>			
Body		Aluminium	
Head		Injected cast aluminium	
Protection		Sun proof PC	

## ELECTRICAL CHARACTERISTICS

- Fed directly on the 220 V.
- Electrical class: I and II
- Nominal tension / Frequency: 220-240 V / 50/60 Hz

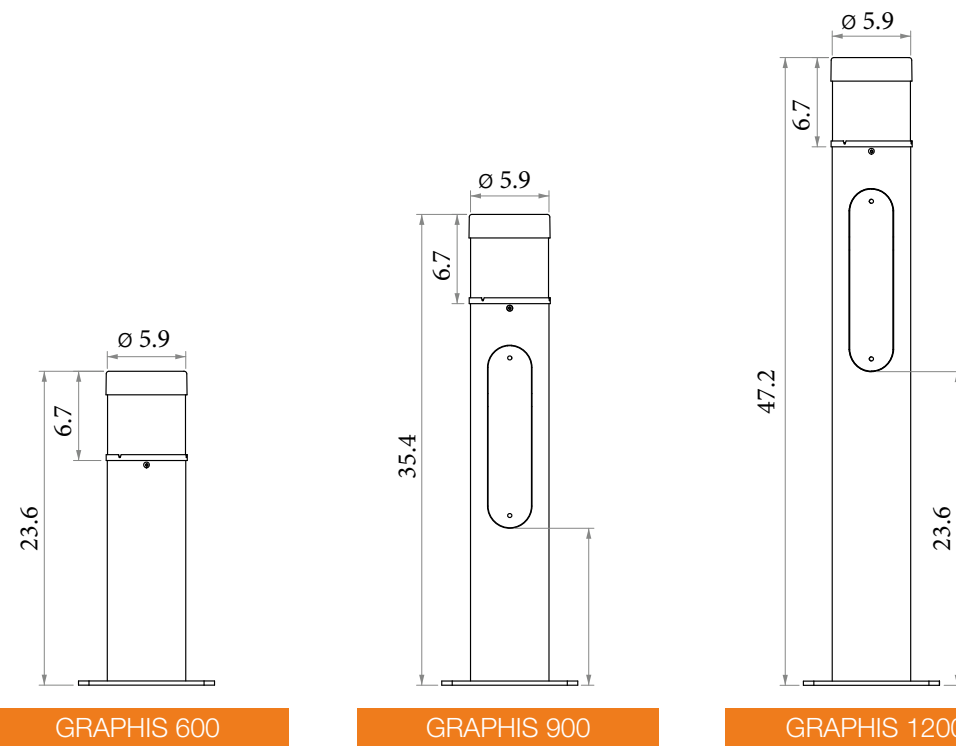
## LIGHTING DISTRIBUTIONS

- Type II
- Type V

All information is subject to change without notice



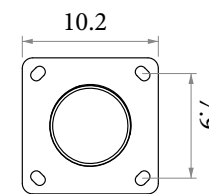
**DIMENSIONS (in)**



**DOOR**

5.1" x 11.0"

**Base plate**



4 anchor bolts (not supplied)

**LED MODULE**

We have selected our LEDs from the best on the market for their quality and efficiency.

- LED manufacturer: SEOUL
- Color temperature: 3000K
- LED life cycle: up to 60 000 hours at 70%.
- CRI above 70



**POWER AND LUMINOUS INTENSITIES - LUMINAIRE OUTPUT DATA (T<sub>j</sub> @ 85°C)**

**3000 K**

en attente

Number of LEDs	P <sub>t</sub> (W)	Φ (lm)	(lm/W)
18	15	978	65

P<sub>t</sub> (W) = Total power consumption including driver consumption • Φ Nominal flux (lm) • Luminous efficiency (lm/W)

**ORDERING INFORMATION**

Fixture	Module	Size	CCT	Drive Current	Distribution	Line Voltage	Color
GRAPHIS	FF 24	S - (24")	3 - (3000K)	3.5 - (350 mA)	T2	120 V	Black
		M - (36")	4 - (4000K)	5.3 - (530 mA)	T3	220 V	Bronze
		L - (48")		7.0 - (700 mA)	T4	277 V	Silver
		* C - Custom		10 - (1000 mA)		347 V	White
						480 V	RAL #
					UNV		

\* Custom Sizes available at no extra cost



**GRAPHIS LED**



EXAMPLES OF **ENSEMBLES**

