



Bratinia

Technical characteristics

Materials

Fixture: Injected cast aluminium Arm: Galvanised steel Reflector: Pressed bright dipped aluminium Protection: Tempered glass

Protection Shape

Standard: Flat glass

Protection Finish

Standard: Transparent

Optical

Type: Asymmetrical reflector, OPTICALED EVO or RML Socket side: Roadway

Maximum Power

HPS/MH: 250 W
Cosmo: 140 W
OPTICALED evo: 30 LED @ 1050 mA

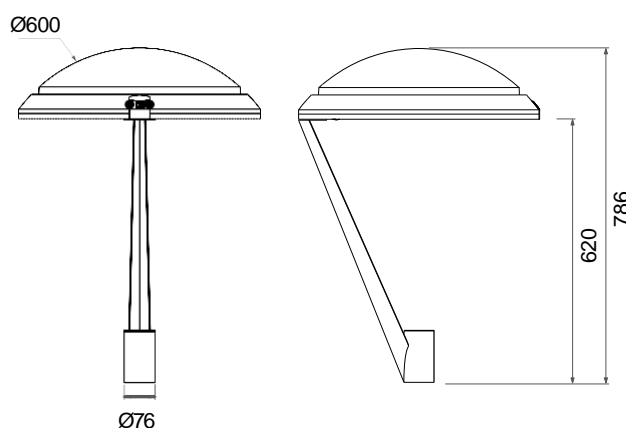
Mounting

Top mounted: Ø60
Depth of insertion: 90 mm

Color Standard

Sanded grey 2900 or black RAL 9005

Dimensions (mm)



Bratinia

Weight (kg)	10
EPA (ft²)	0.753
Electrical class	2
Protection index	
Optical unit.....	IP 66
Electrical housing.....	IP 66
Shock resistance	IK 08

Options

IK 10 on request Disconnects upon opening

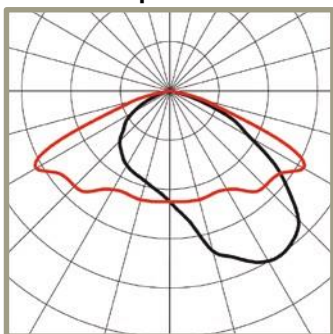


Bratinia

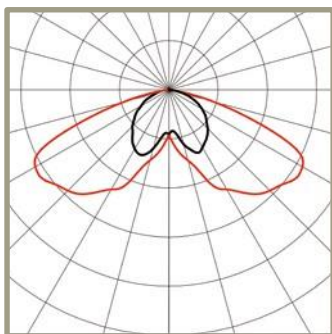
Photometrical characteristics

Polar curves

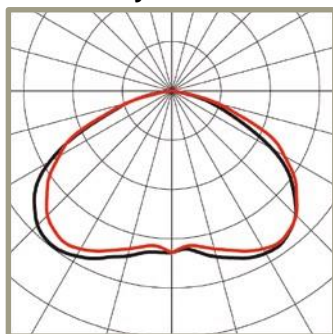
RL650 / RL800
Lamp



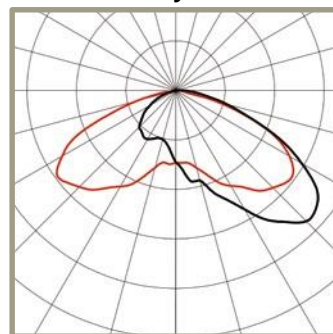
RML



OPTICALED EVO
Sym-Circ



OPTICALED EVO
Asym



Lighting projects

360°



360° «circular symmetrical»
type: square, small square, pedestrian and parking areas...

180°



180° «road asymmetrical»
type: street, narrow street, pedestrian path...





14175 East 42nd Avenue – Suite 60
Denver – CO - 80239
Tél. : (720) 370 – 0400
info@ragni-lighting.com



www.Ragni-lighting.com
www.ragnidurable.com